



United Pacific

HIGHWAYSHIELD

GRILLE GUARD



FREIGHTLINER | KENWORTH | PETERBILT | VOLVO | INTERNATIONAL

Reliable. Hardworking. Quality products.



ALL DAY ROAD. ALL DAY ULTIMATE PROTECTION.

Inspired by hardworking truckers driving America's highways—from state routes to busy interstates; HighwayShield Grille Guards provide unmatched front-end protection. Built from durable 3" diameter 304 stainless steel, they shield your truck from road debris, animals, and minor collisions while delivering lasting performance.

With 13 rugged designs inspired by major interstates, HighwayShield combines bold style with practical functionality to suit every trucker's lifestyle. Radar-compatible R Series kits are available for select models. Choose from over 150 grille guard kits for Freightliner, Kenworth, Peterbilt, Volvo, and International trucks.



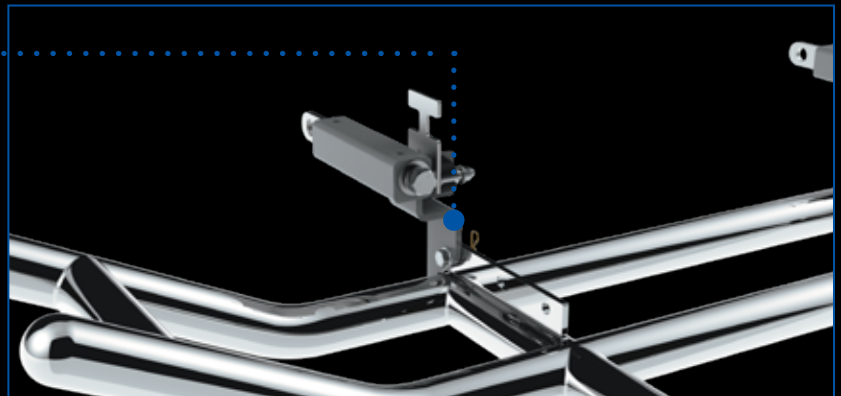
DURABLE CONSTRUCTION

Constructed from 3" diameter 304 stainless steel tubes, the grille guard ensures exceptional durability and maintains a brilliant shine, even after years of use. Available in a Matte Black finish on select models.



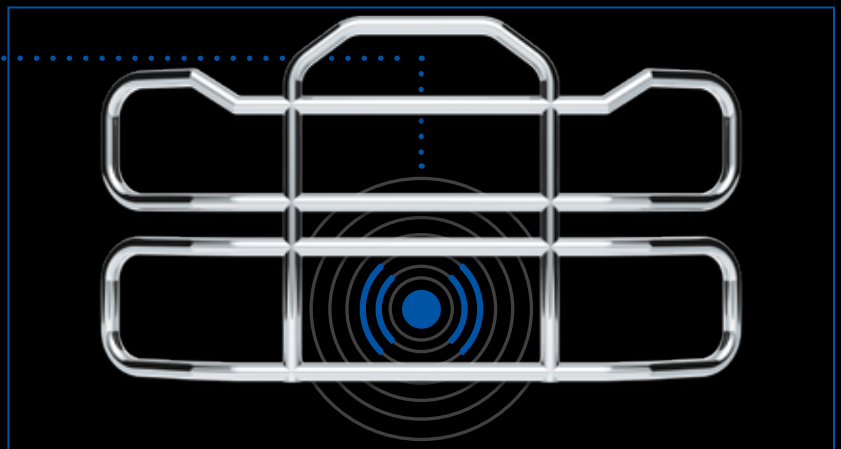
TILT-FORWARD ACCESS

Designed for convenience, the included bracket set allows the grille guard to tilt forward, granting easy access to the bumper, grille, and headlights while clearing the hood during opening.



RADAR COMPATIBLE*

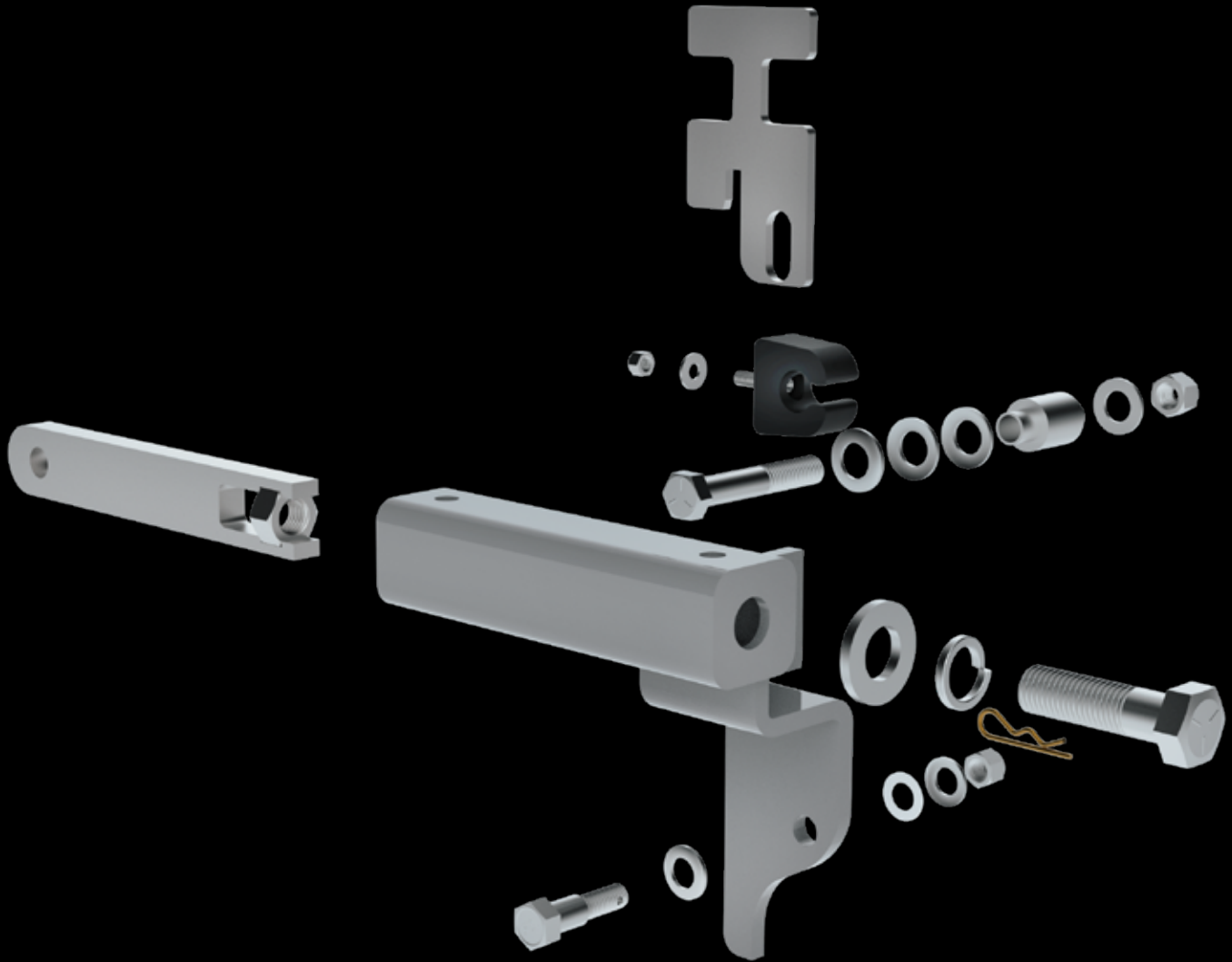
The R Series grille guards are specifically engineered for select makes and models, offering wider lower spacing to seamlessly integrate with electronic sensors, radar, and VORAD systems.



*Radar compatible HighwayShield Grille Guards apply exclusively to models with the R Series designation: I20 R Series, I25 R Series, I85 R Series, I95 R Series.

COMPLETE KIT. READY TO GO.

The HighwayShield Grille Guard's bracket kit is precision-engineered for easy and secure installation on every truck. Crafted from durable materials, the bracket set ensures a strong and lasting fit. Paired with a high-quality stainless steel grille guard and zinc-plated hardware, this kit is built for resilience and performance. Installation is straightforward with OEM tow hook receivers, providing a seamless setup*. For the installation manual and product details, visit the dealer portal.



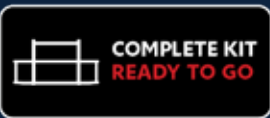
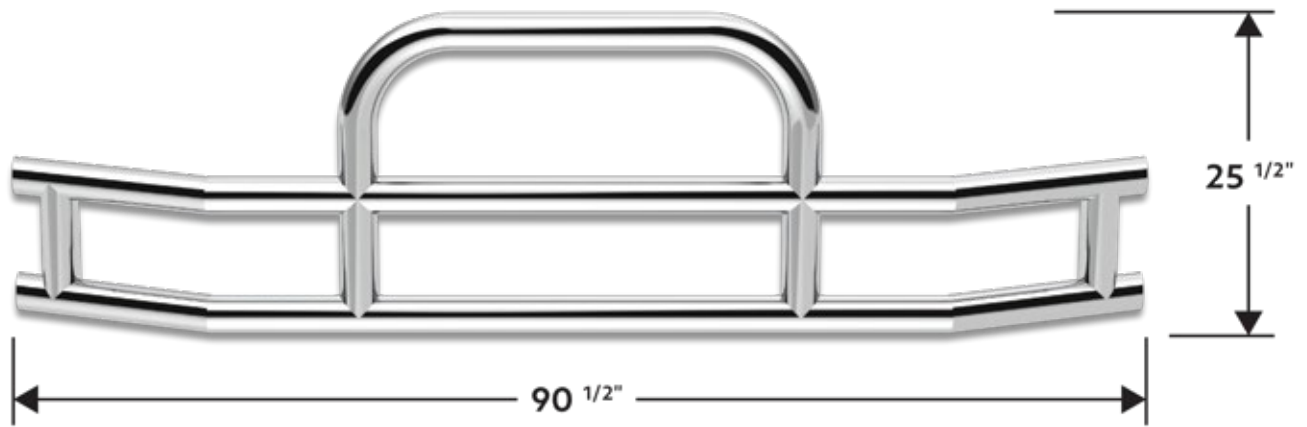
Scan the QR code to visit the HighwayShield Grille Guard page.

Grille Guard items won't count toward the prepaid freight minimum.
Freight charges as per zone map will automatically be added to the invoice.

*Access to tow hook receivers on the frame through the original bumper is required.

I10 SERIES

304 STAINLESS STEEL GRILLE GUARD & BRACKET KIT



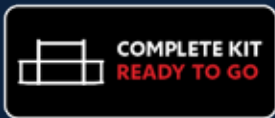
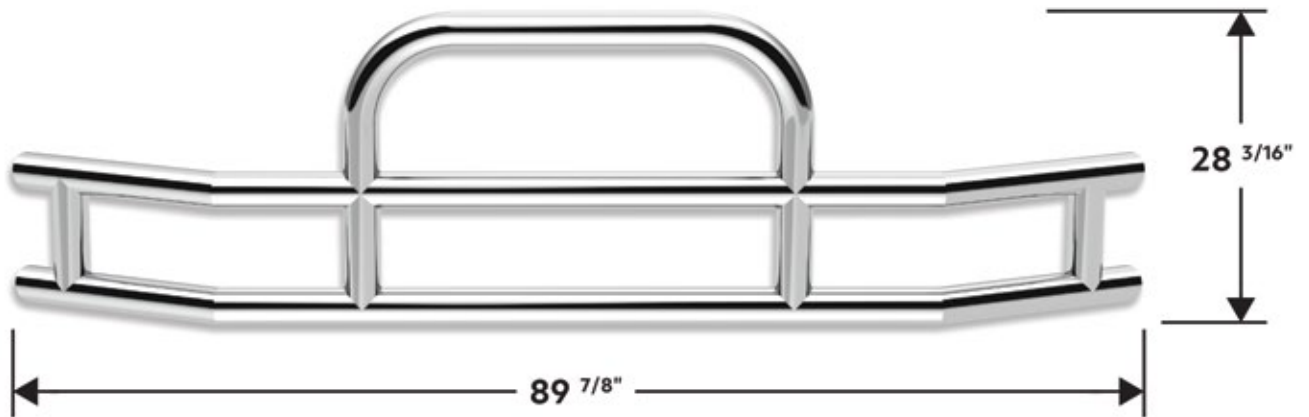
FEATURES

- 14 gauge, 3" diameter 304 highly polished stainless steel tubes for durability and long lasting shine.
- Formed and welded for superior strength to protect the bumper, headlights, and hood.
- Mounting bracket kit is durable steel construction with zinc plated hardware. Easy installation on OEM tow hook receivers.
- Bracket set allows grille guard to tilt forward for easy access to bumper, grille and lights, and clears hood when opening.
- Note: Installation requires access to tow hook receivers on frame through original bumper. If using aftermarket bumper, be sure that the tow hook receivers are accessible.
- Installation requires use of vehicles original tow hook pins/hardware.
- May not be compatible with trucks equipped with electronic sensors, radar, VORAD systems.

ITEM #	MAKE/MODEL	YEAR
80020	FREIGHTLINER CASCADIA	2008-2017
80026	FREIGHTLINER CASCADIA	2018+2025
80022	KENWORTH T660	2008-2017
80028	KENWORTH T680	2022+
80021	KENWORTH T680	2013-2021
80022	PETERBILT 579	2012-2021
80022	PETERBILT 587	2010-2016
80028	NEW GEN PETERBILT 579	2022-2025
80023	VOLVO VNL	2003-2017
80027	VOLVO VNL	2018-2024
80024	INTERNATIONAL PROSTAR	2006-2017
80024	INTERNATIONAL LT	2018-2025

I15 SERIES

304 STAINLESS STEEL GRILLE GUARD & BRACKET KIT



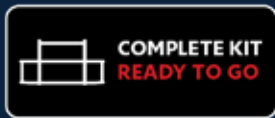
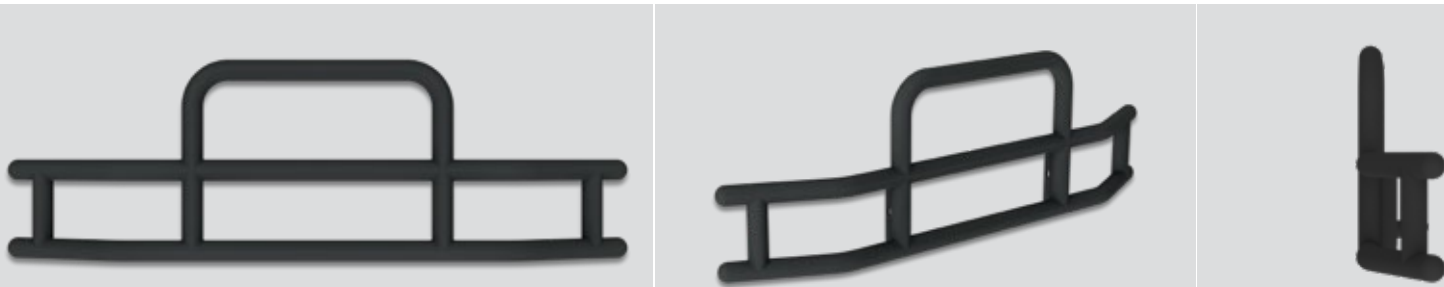
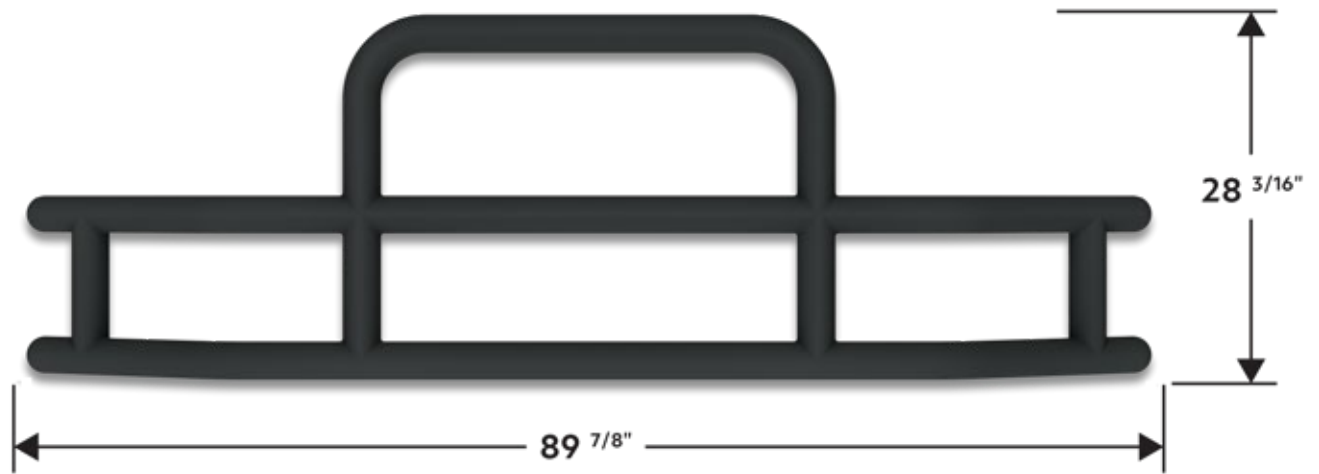
FEATURES

- 14 gauge, 3" diameter 304 highly polished stainless steel tubes for durability and long lasting shine.
- Formed and welded for superior strength to protect the bumper, headlights, and hood.
- Mounting bracket kit is durable steel construction with zinc plated hardware. Easy installation on OEM tow hook receivers.
- Bracket set allows grille guard to tilt forward for easy access to bumper, grille and lights, and clears hood when opening.
- Note: Installation requires access to tow hook receivers on frame through original bumper. If using aftermarket bumper, be sure that the tow hook receivers are accessible.
- Installation requires use of vehicles original tow hook pins/hardware.
- May not be compatible with trucks equipped with electronic sensors, radar, VORAD systems.

ITEM #	MAKE/MODEL	YEAR
80129	FREIGHTLINER CASCADIA	2008-2017
80135	FREIGHTLINER CASCADIA	2018-2025
80131	KENWORTH T660	2008-2017
80130	KENWORTH T680	2013-2021
80137	KENWORTH T680	2022-2025
80131	PETERBILT 579	2012-2021
80131	PETERBILT 587	2010-2016
80137	NEW GEN PETERBILT 579	2022-2025
80132	VOLVO VNL	2003-2017
80136	VOLVO VNL	2018-2024
80133	INTERNATIONAL PROSTAR	2006-2017
80133	INTERNATIONAL LT	2018-2025

I15 SERIES

MATTE BLACK GRILLE GUARD & BRACKET KIT



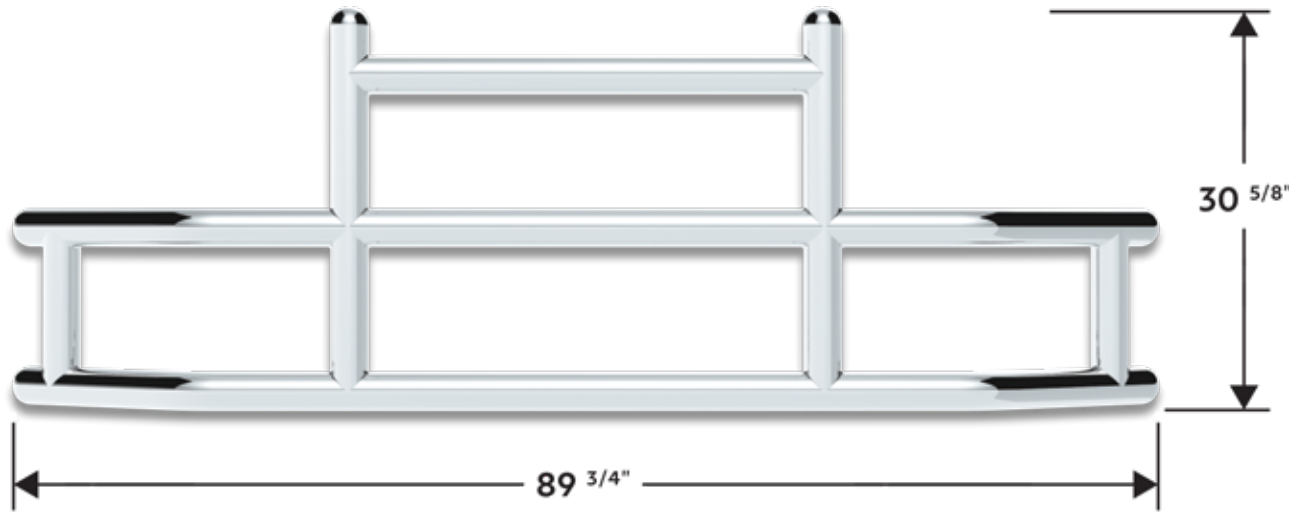
FEATURES

- 14 gauge, 3" diameter steel tubes with beautiful matte black powder coat finish for durability.
- Formed and welded for superior strength to protect the bumper, headlights, and hood.
- Mounting bracket kit is durable steel construction with zinc plated hardware. Easy installation on OEM tow hook receivers.
- Bracket set allows grille guard to tilt forward for easy access to bumper, grille and lights, and clears hood when opening.
- Note: Installation requires access to tow hook receivers on frame through original bumper. If using aftermarket bumper, be sure that the tow hook receivers are accessible.
- Installation requires use of vehicles original tow hook pins/hardware.
- May not be compatible with trucks equipped with electronic sensors, radar, VORAD systems.

ITEM #	MAKE/MODEL	YEAR
80119	FREIGHTLINER CASCADIA	2008-2017
80125	FREIGHTLINER CASCADIA	2018-2025
80121	KENWORTH T660	2008-2017
80120	KENWORTH T680	2013-2021
80127	KENWORTH T680	2022-2025
80121	PETERBILT 579	2012-2021
80121	PETERBILT 587	2010-2016
80127	NEW GEN PETERBILT 579	2022-2025
80122	VOLVO VNL	2003-2017
80126	VOLVO VNL	2018-2024
80123	INTERNATIONAL PROSTAR	2006-2017
80123	INTERNATIONAL LT	2018-2025

I20 SERIES

304 STAINLESS STEEL GRILLE GUARD & BRACKET KIT



COMPLETE KIT
READY TO GO



304 PREMIUM
STAINLESS
STEEL



TILT
FORWARD
ACCESS



EASY
INSTALLATION

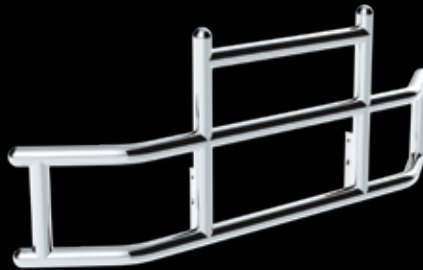
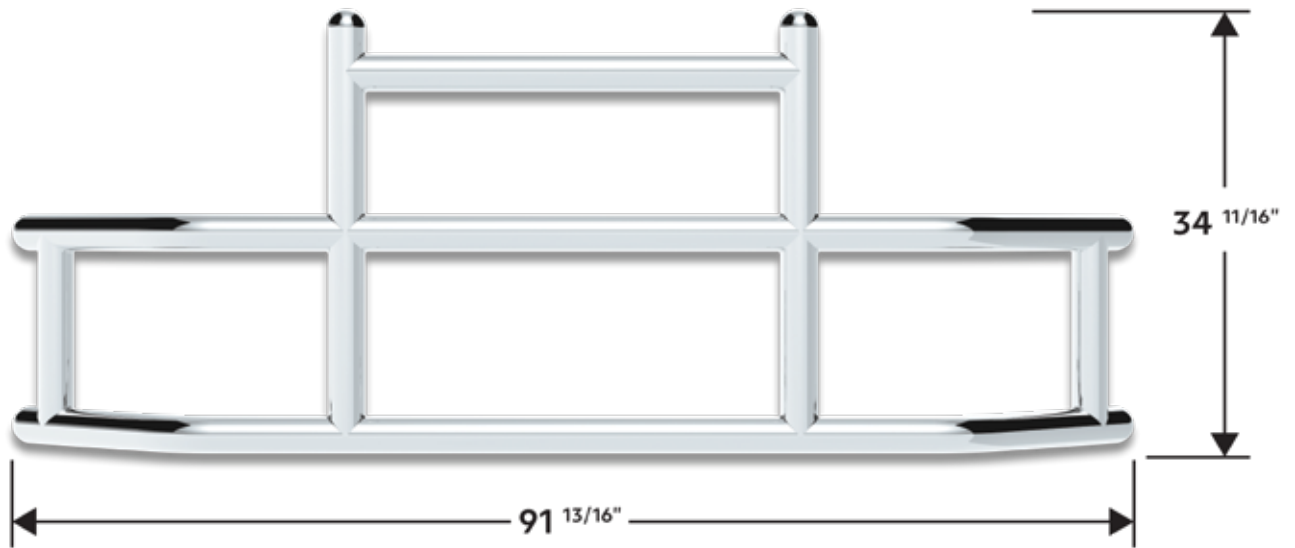
FEATURES

- 14 gauge, 3" diameter 304 highly polished stainless steel tubes for durability and long lasting shine.
- Formed and welded for superior strength to protect the bumper, headlights, and hood.
- Mounting bracket kit is durable steel construction with zinc plated hardware. Easy installation on OEM tow hook receivers.
- Bracket set allows grille guard to tilt forward for easy access to bumper, grille and lights, and clears hood when opening.
- Note: Installation requires access to tow hook receivers on frame through original bumper. If using aftermarket bumper, be sure that the tow hook receivers are accessible.
- Installation requires use of vehicles original tow hook pins/hardware.
- May not be compatible with trucks equipped with electronic sensors, radar, VORAD systems.

ITEM #	MAKE/MODEL	YEAR
80065	FREIGHTLINER CASCADIA	2008-2017
80071	FREIGHTLINER CASCADIA	2018-2025
80067	KENWORTH T660	2008-2017
80066	KENWORTH T680	2013-2021
80073	KENWORTH T680	2022-2025
80067	PETERBILT 579	2012-2021
80067	PETERBILT 587	2010-2016
80073	NEW GEN PETERBILT 579	2022-2025
80068	VOLVO VNL	2003-2017
80072	VOLVO VNL	2018-2024
80069	INTERNATIONAL PROSTAR	2006-2017
80069	INTERNATIONAL LT	2018-2025

I20 R SERIES

304 STAINLESS STEEL GRILLE GUARD & BRACKET KIT RADAR COMPATIBLE



COMPLETE KIT
READY TO GO



304 PREMIUM
STAINLESS
STEEL



TILT
FORWARD
ACCESS



EASY
INSTALLATION



RADAR
CAPABLE

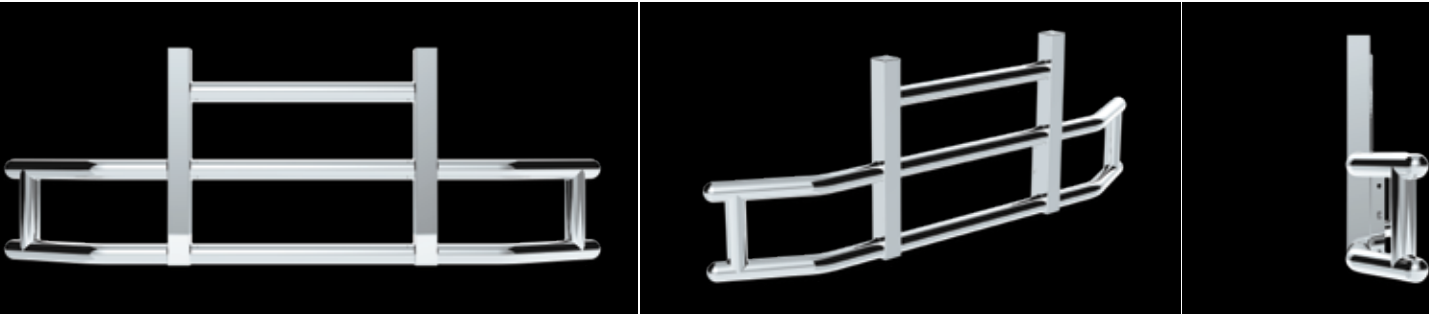
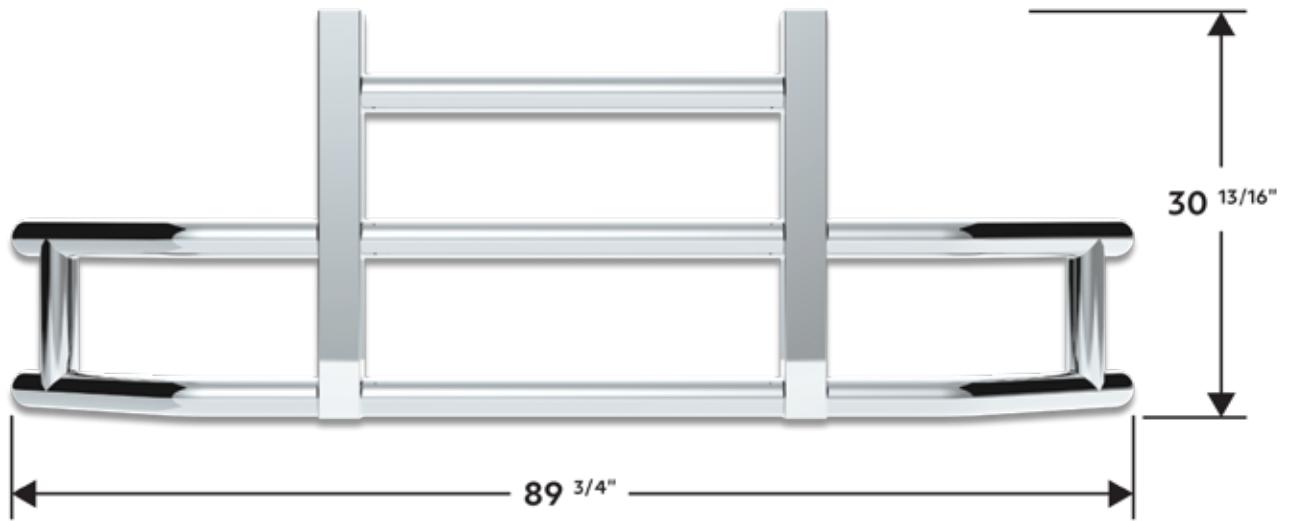
FEATURES

- 14 gauge, 3" diameter 304 highly polished stainless steel tubes for durability and long lasting shine.
- Formed and welded for superior strength to protect the bumper, headlights, and hood.
- Mounting bracket kit is durable steel construction with zinc plated hardware. Easy installation on OEM tow hook receivers.
- Bracket set allows grille guard to tilt forward for easy access to bumper, grille and lights, and clears hood when opening.
- Note: Installation requires access to tow hook receivers on frame through original bumper. If using aftermarket bumper, be sure that the tow hook receivers are accessible.
- Installation requires use of vehicles original tow hook pins/hardware.
- Wider lower spacing allows compatibility with electronic sensors, radar, VORAD systems.

ITEM #	MAKE/MODEL	YEAR
80074	FREIGHTLINER CASCADIA	2008-2017
80080	FREIGHTLINER CASCADIA	2018-2025
80076	KENWORTH T660	2008-2017
80075	KENWORTH T680	2013-2021
80082	KENWORTH T680	2022-2025
80076	PETERBILT 579	2012-2021
80076	PETERBILT 587	2010-2016
80082	NEW GEN PETERBILT 579	2022-2025
80077	VOLVO VNL	2003-2017
80081	VOLVO VNL	2018-2024
80078	INTERNATIONAL PROSTAR	2006-2017
80078	INTERNATIONAL LT	2018-2025

I25 SERIES

304 STAINLESS STEEL GRILLE GUARD & BRACKET KIT



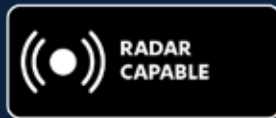
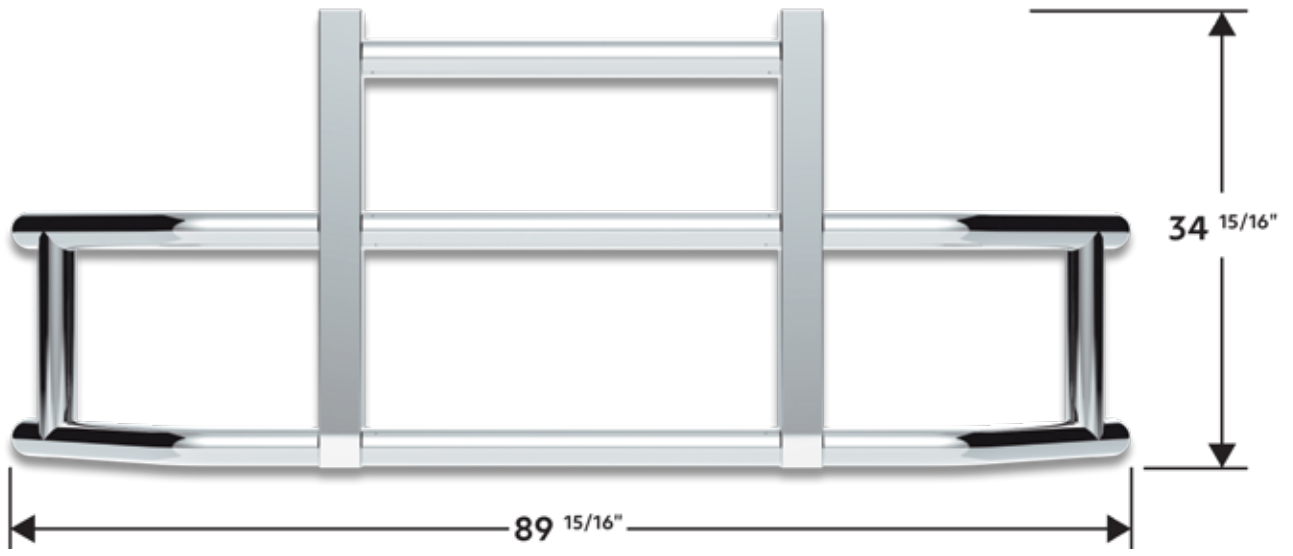
FEATURES

- 14 gauge, 3" diameter 304 highly polished stainless steel tubes for durability and long lasting shine.
- Formed and welded for superior strength to protect the bumper, headlights, and hood.
- Clean square post design.
- Mounting bracket kit is durable steel construction with zinc plated hardware. Easy installation on OEM tow hook receivers.
- Bracket set allows grille guard to tilt forward for easy access to bumper, grille and lights, and clears hood when opening.
- Note: Installation requires access to tow hook receivers on frame through original bumper. If using aftermarket bumper, be sure that the tow hook receivers are accessible.
- Installation requires use of vehicles original tow hook pins/hardware.
- May not be compatible with trucks equipped with electronic sensors, radar, VORAD systems.

ITEM #	MAKE/MODEL	YEAR
80029	FREIGHTLINER CASCADIA	2008-2017
80035	FREIGHTLINER CASCADIA	2018-2025
80031	KENWORTH T660	2008-2017
80030	KENWORTH T680	2013-2021
80037	KENWORTH T680	2022-2025
80031	PETERBILT 579	2012-2021
80031	PETERBILT 587	2010-2016
80037	NEW GEN PETERBILT 579	2022-2025
80032	VOLVO VNL	2003-2017
80036	VOLVO VNL	2018-2024
80033	INTERNATIONAL PROSTAR	2006-2017
80033	INTERNATIONAL LT	2018-2025

I25 R SERIES

304 STAINLESS STEEL GRILLE GUARD & BRACKET KIT RADAR COMPATIBLE



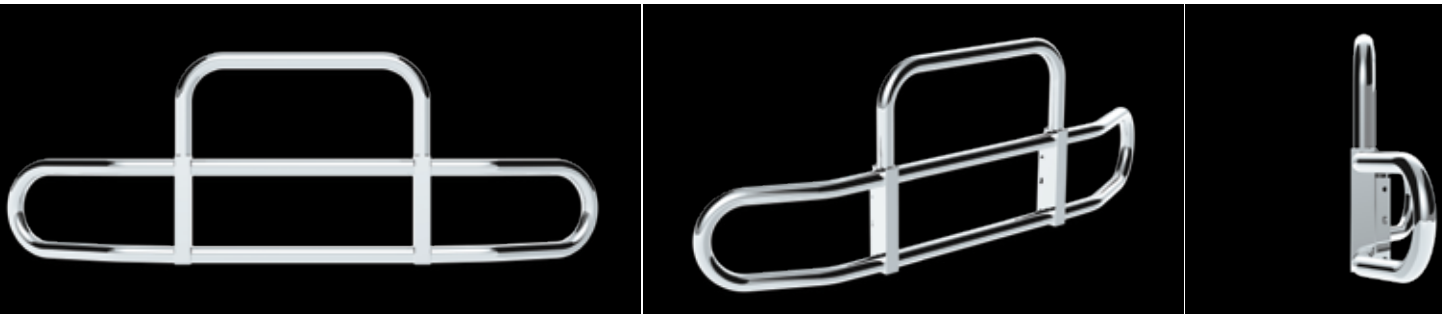
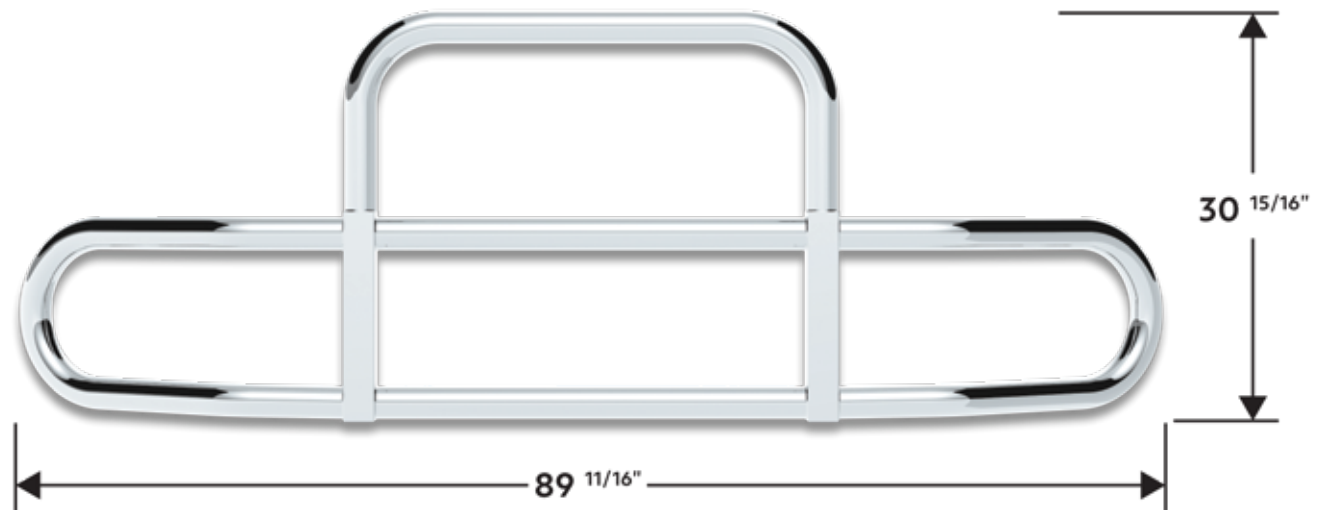
FEATURES

- 14 gauge, 3" diameter 304 highly polished stainless steel tubes for durability and long lasting shine.
- Formed and welded for superior strength to protect the bumper, headlights, and hood.
- Clean square post design.
- Mounting bracket kit is durable steel construction with zinc plated hardware. Easy installation on OEM tow hook receivers.
- Bracket set allows grille guard to tilt forward for easy access to bumper, grille and lights, and clears hood when opening.
- Note: Installation requires access to tow hook receivers on frame through original bumper. If using aftermarket bumper, be sure that the tow hook receivers are accessible.
- Installation requires use of vehicles original tow hook pins/hardware.
- Wider lower spacing allows compatibility with electronic sensors, radar, VORAD systems.

ITEM #	MAKE/MODEL	YEAR
80038	FREIGHTLINER CASCADIA	2008-2017
80044	FREIGHTLINER CASCADIA	2018-2025
80040	KENWORTH T660	2008-2017
80046	KENWORTH T680	2022-2025
80039	KENWORTH T680	2013-2021
80040	PETERBILT 579	2012-2021
80040	PETERBILT 587	2010-2016
80046	NEW GEN PETERBILT 579	2022-2025
80041	VOLVO VNL	2003-2017
80045	VOLVO VNL	2018-2024
80042	INTERNATIONAL PROSTAR	2006-2017
80042	INTERNATIONAL LT	2018-2025

I30 SERIES

304 STAINLESS STEEL GRILLE GUARD & BRACKET KIT



**COMPLETE KIT
READY TO GO**



**304
PREMIUM
STAINLESS
STEEL**



**TILT
FORWARD
ACCESS**



**EASY
INSTALLATION**

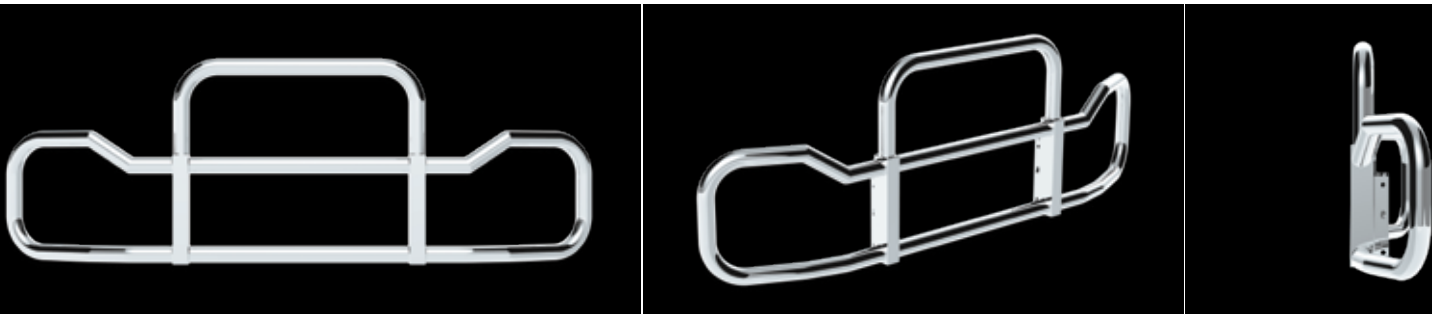
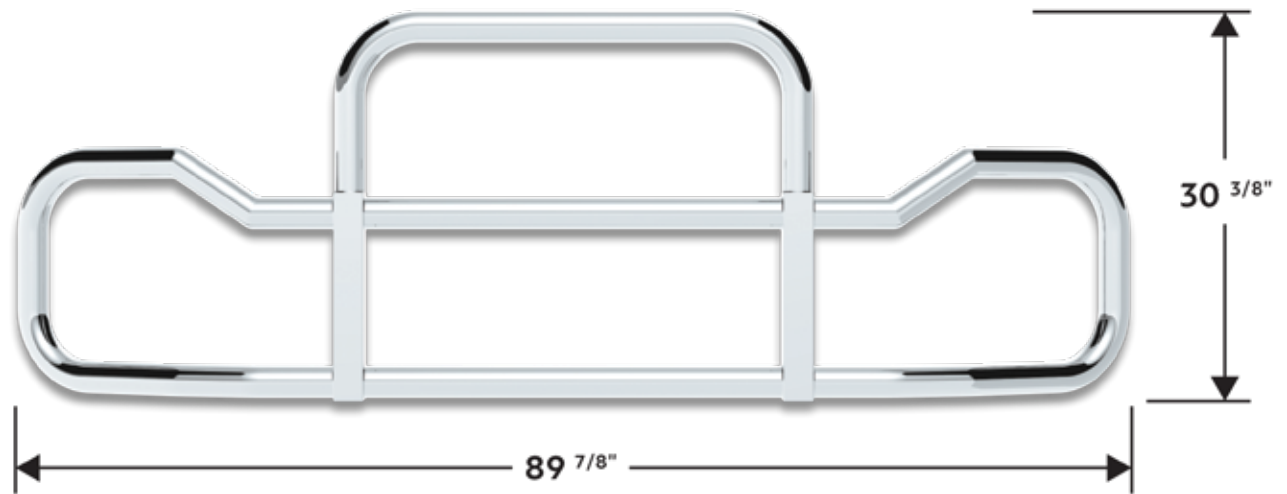
FEATURES

- 14 gauge, 3" diameter 304 highly polished stainless steel tubes for durability and long lasting shine.
- Formed and welded for superior strength to protect the bumper, headlights, and hood.
- Clean square post design.
- Mounting bracket kit is durable steel construction with zinc plated hardware. Easy installation on OEM tow hook receivers.
- Bracket set allows grille guard to tilt forward for easy access to bumper, grille and lights, and clears hood when opening.
- Note: Installation requires access to tow hook receivers on frame through original bumper. If using aftermarket bumper, be sure that the tow hook receivers are accessible.
- Installation requires use of vehicles original tow hook pins/hardware.
- May not be compatible with trucks equipped with electronic sensors, radar, VORAD systems.

ITEM #	MAKE/MODEL	YEAR
80083	FREIGHTLINER CASCADIA	2008-2017
80089	FREIGHTLINER CASCADIA	2018-2025
80085	KENWORTH T660	2008-2017
80084	KENWORTH T680	2013-2021
80091	KENWORTH T680	2022+
80085	PETERBILT 579	2012-2021
80085	PETERBILT 587	2010-2016
80091	NEW GEN PETERBILT 579	2022-2025
80086	VOLVO VNL	2003-2017
80090	VOLVO VNL	2018-2024
80087	INTERNATIONAL PROSTAR	2006-2017
80087	INTERNATIONAL LT	2018-2025

I40 SERIES

304 STAINLESS STEEL GRILLE GUARD & BRACKET KIT



COMPLETE KIT
READY TO GO



304 PREMIUM
STAINLESS
STEEL



TILT
FORWARD
ACCESS



EASY
INSTALLATION

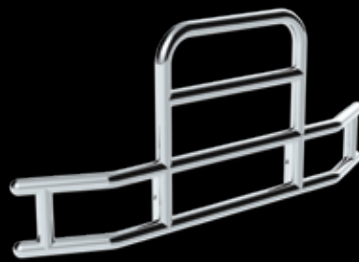
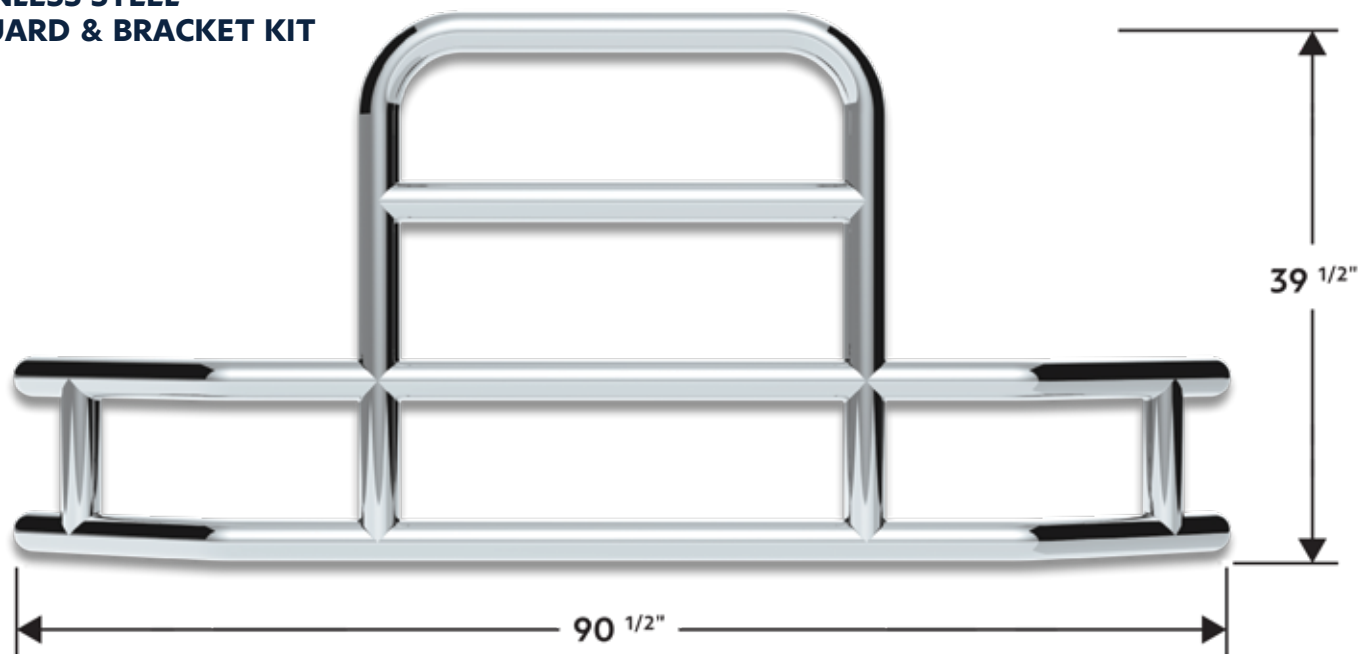
FEATURES

- 14 gauge, 3" diameter 304 highly polished stainless steel tubes for durability and long lasting shine.
- Formed and welded for superior strength to protect the bumper, headlights, and hood.
- Clean square post design.
- Features taller wings for enhanced headlight and fender protection
- Mounting bracket kit is durable steel construction with zinc plated hardware. Easy installation on OEM tow hook receivers.
- Bracket set allows grille guard to tilt forward for easy access to bumper, grille and lights, and clears hood when opening.
- Note: Installation requires access to tow hook receivers on frame through original bumper. If using aftermarket bumper, be sure that the tow hook receivers are accessible.
- Installation requires use of vehicles original tow hook pins/hardware.
- May not be compatible with trucks equipped with electronic sensors, radar, VORAD systems.

ITEM #	MAKE/MODEL	YEAR
80092	FREIGHTLINER CASCADIA	2008-2017
80098	FREIGHTLINER CASCADIA	2018-2025
80094	KENWORTH T660	2008-2017
80093	KENWORTH T680	2013-2021
80100	KENWORTH T680	2022-2025
80094	PETERBILT 579	2012-2021
80094	PETERBILT 587	2010-2016
80100	NEW GEN PETERBILT 579	2022-2025
80095	VOLVO VNL	2003-2017
80099	VOLVO VNL	2018+
80096	INTERNATIONAL PROSTAR	2006-2017
80096	INTERNATIONAL LT	2018-2025

I85 SERIES

304 STAINLESS STEEL GRILLE GUARD & BRACKET KIT



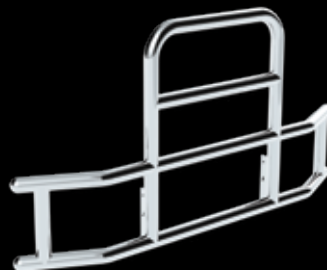
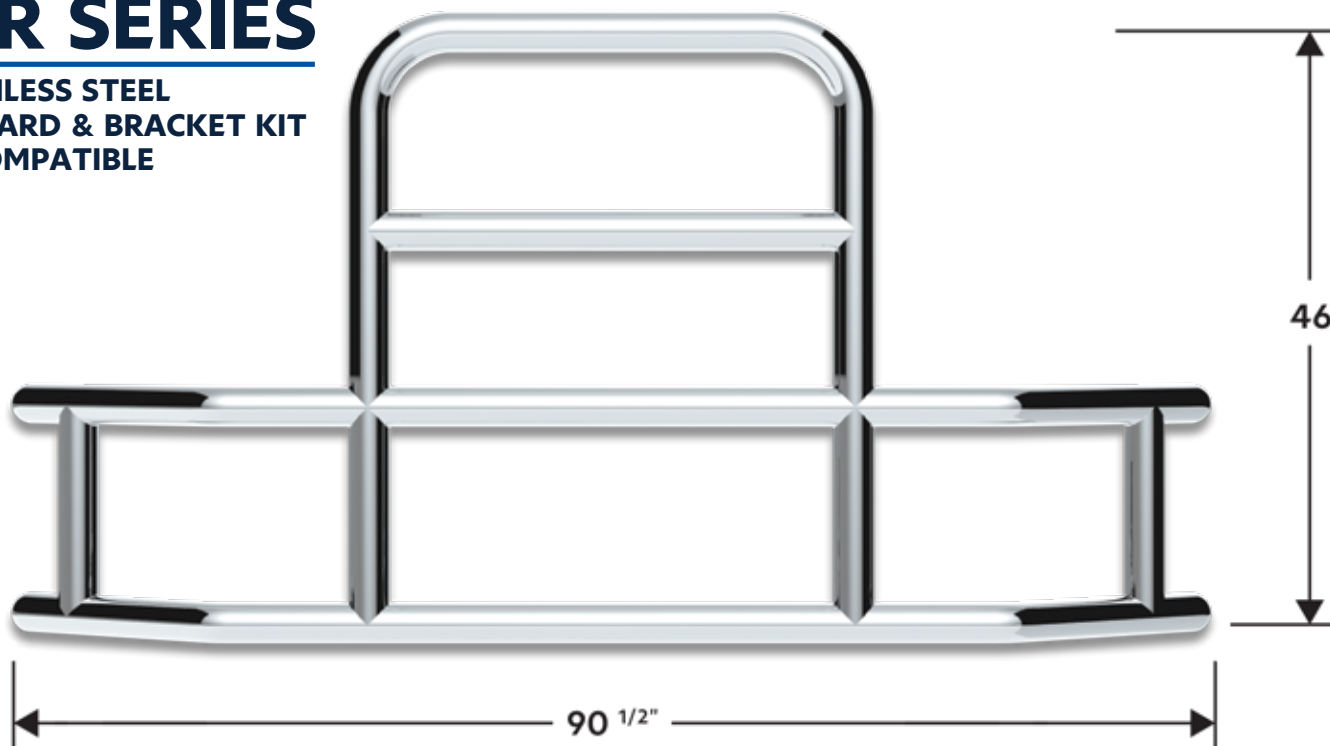
FEATURES

- 14 gauge, 3" diameter 304 highly polished stainless steel tubes for durability and long lasting shine.
- Formed and welded for superior strength to protect the bumper, headlights, and hood.
- Larger 4 bar center section for extra protection of the center grille.
- Mounting bracket kit is durable steel construction with zinc plated hardware. Easy installation on OEM tow hook receivers.
- Bracket set allows grille guard to tilt forward for easy access to bumper, grille and lights, and clears hood when opening.
- Note: Installation requires access to tow hook receivers on frame through original bumper. If using aftermarket bumper, be sure that the tow hook receivers are accessible.
- Installation requires use of vehicles original tow hook pins/hardware.
- May not be compatible with trucks equipped with electronic sensors, radar, VORAD systems.

ITEM #	MAKE/MODEL	YEAR
80047	FREIGHTLINER CASCADIA	2008-2017
80053	FREIGHTLINER CASCADIA	2018-2025
80049	KENWORTH T660	2008-2017
80048	KENWORTH T680	2013-2021
80055	KENWORTH T680	2022-2025
80055	PETERBILT 579	2022-2025
80049	PETERBILT 587	2010-2016
80055	NEW GEN PETERBILT 579	2022-2025
80050	VOLVO VNL	2003-2017
80054	VOLVO VNL	2018-2024
80051	INTERNATIONAL PROSTAR	2006-2017
80051	INTERNATIONAL LT	2018-2024

I85 R SERIES

**304 STAINLESS STEEL
GRILLE GUARD & BRACKET KIT
RADAR COMPATIBLE**



**COMPLETE KIT
READY TO GO**



**PREMIUM
STAINLESS
STEEL**



**TILT
FORWARD
ACCESS**



**EASY
INSTALLATION**



**RADAR
CAPABLE**

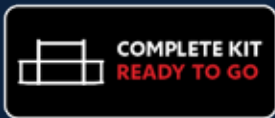
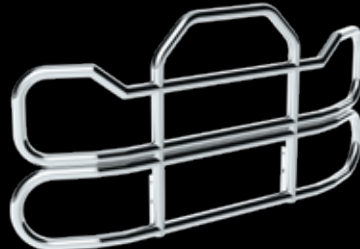
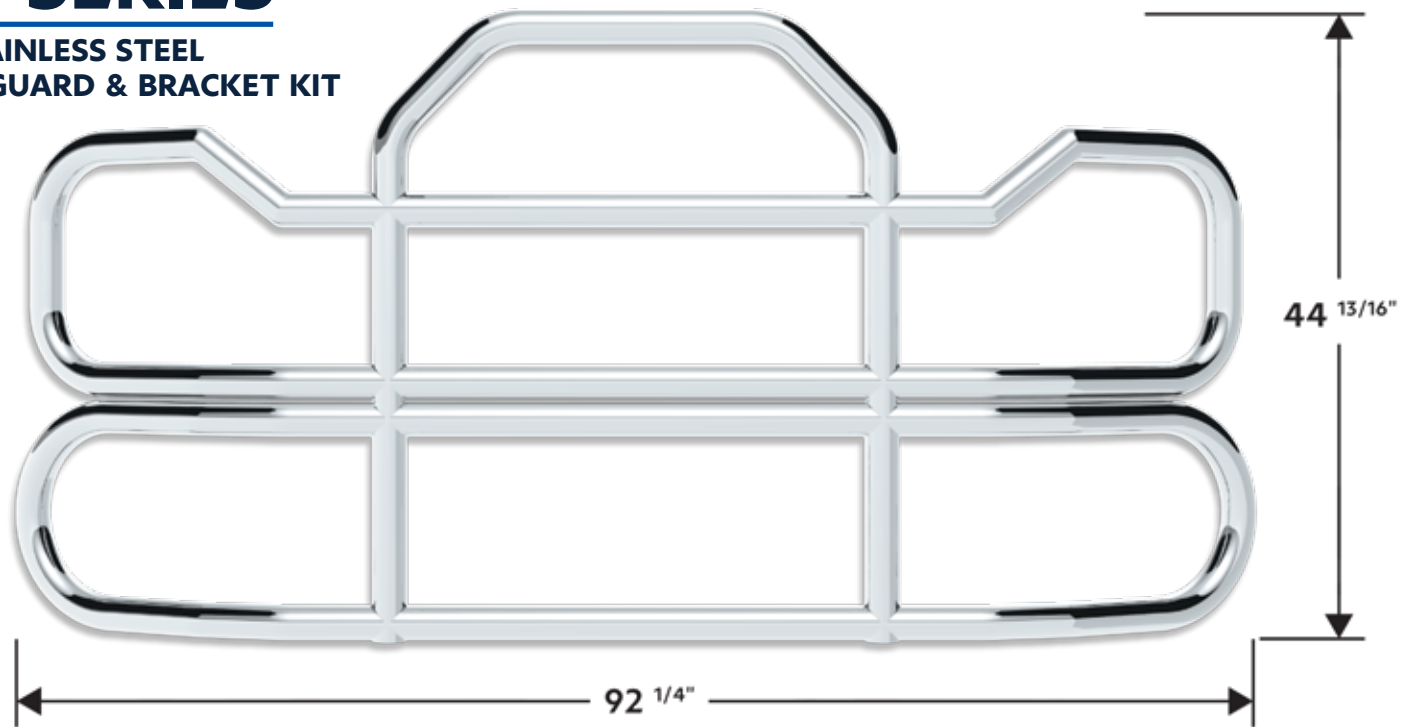
FEATURES

- 14 gauge, 3" diameter 304 highly polished stainless steel tubes for durability and long lasting shine.
- Formed and welded for superior strength to protect the bumper, headlights, and hood.
- Larger 4 bar center section for extra protection of the center grille.
- Mounting bracket kit is durable steel construction with zinc plated hardware. Easy installation on OEM tow hook receivers.
- Bracket set allows grille guard to tilt forward for easy access to bumper, grille and lights, and clears hood when opening.
- Note: Installation requires access to tow hook receivers on frame through original bumper. If using aftermarket bumper, be sure that the tow hook receivers are accessible.
- Installation requires use of vehicles original tow hook pins/hardware.
- Wider lower spacing allows compatibility with electronic sensors, radar, VORAD systems.

ITEM #	MAKE/MODEL	YEAR
80056	FREIGHTLINER CASCADIA	2008-2017
80062	FREIGHTLINER CASCADIA	2018-2025
80058	KENWORTH T660	2008-2017
80057	KENWORTH T680	2013-2021
80064	KENWORTH T680	2022-2025
80058	PETERBILT 579	2012-2021
80058	PETERBILT 587	2010-2016
80064	NEW GEN PETERBILT 579	2022-2025
80059	VOLVO VNL	2003-2017
80063	VOLVO VNL	2018-2024
80060	INTERNATIONAL PROSTAR	2006-2017
80060	INTERNATIONAL LT	2018-2025

I95 SERIES

304 STAINLESS STEEL GRILLE GUARD & BRACKET KIT



COMPLETE KIT
READY TO GO



304 PREMIUM
STAINLESS
STEEL



TILT
FORWARD
ACCESS



EASY
INSTALLATION

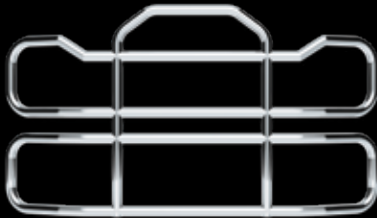
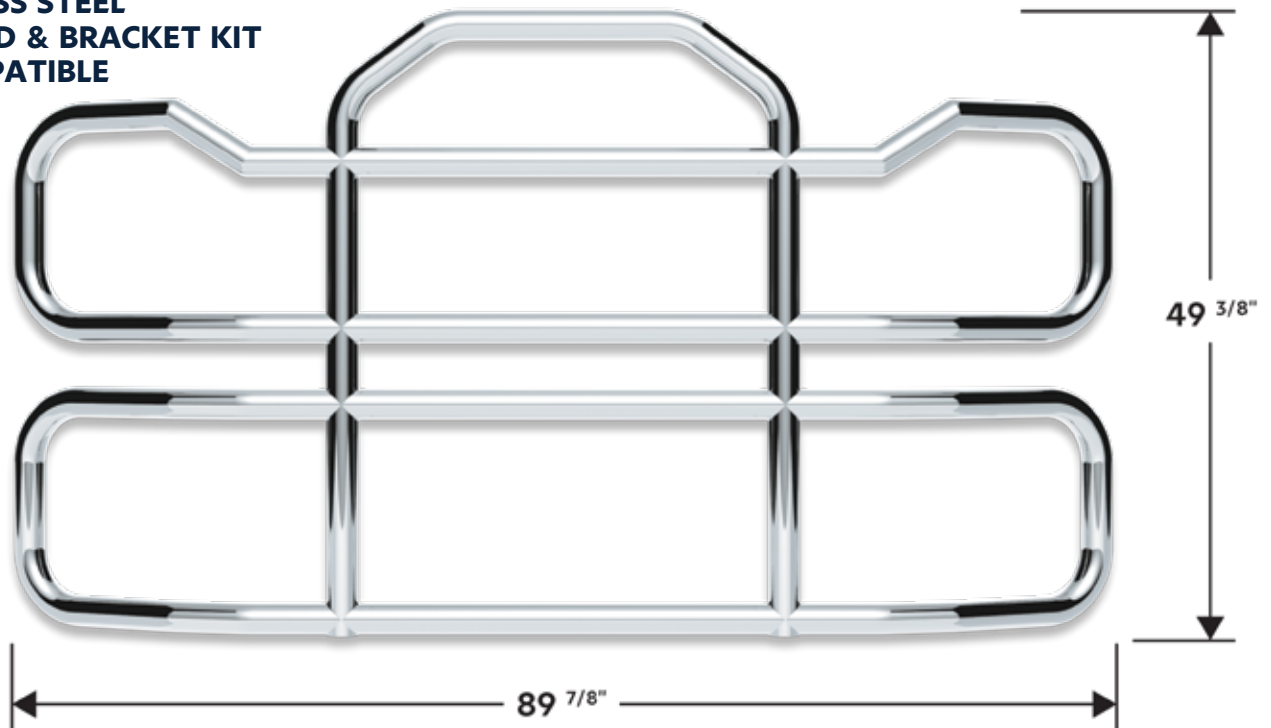
FEATURES

- 14 gauge, 3" diameter 304 highly polished stainless steel tubes for durability and long lasting shine.
- Formed and welded for superior strength to protect the bumper, headlights, and hood.
- Ultimate protection for front end with 4 bar wings and 5 bar center section.
- Mounting bracket kit is durable steel construction with zinc plated hardware. Easy installation on OEM tow hook receivers.
- Bracket set allows grille guard to tilt forward for easy access to bumper, grille and lights, and clears hood when opening.
- Note: Installation requires access to tow hook receivers on frame through original bumper. If using aftermarket bumper, be sure that the tow hook receivers are accessible.
- Installation requires use of vehicles original tow hook pins/hardware.
- May not be compatible with trucks equipped with electronic sensors, radar, VORAD systems.

ITEM #	MAKE/MODEL	YEAR
80101	FREIGHTLINER CASCADIA	2008-2017
80107	FREIGHTLINER CASCADIA	2018-2025
80103	KENWORTH T660	2008-2017
80102	KENWORTH T680	2013-2021
80109	KENWORTH T680	2022-2025
80103	PETERBILT 579	2012-2021
80103	PETERBILT 587	2010-2016
80109	NEW GEN PETERBILT 579	2022-2025
80104	VOLVO VNL	2003-2017
80108	VOLVO VNL	2018-2024
80105	INTERNATIONAL PROSTAR	2006-2017
80105	INTERNATIONAL LT	2018-2025

I95 R SERIES

**304 STAINLESS STEEL
GRILLE GUARD & BRACKET KIT
RADAR COMPATIBLE**



**COMPLETE KIT
READY TO GO**



**304 PREMIUM
STAINLESS
STEEL**



**TILT
FORWARD
ACCESS**



**EASY
INSTALLATION**



**RADAR
CAPABLE**

FEATURES

- 14 gauge, 3" diameter 304 highly polished stainless steel tubes for durability and long lasting shine.
- Formed and welded for superior strength to protect the bumper, headlights, and hood.
- Ultimate protection for front end with 4 bar wings and 5 bar center section.
- Mounting bracket kit is durable steel construction with zinc plated hardware. Easy installation on OEM tow hook receivers.
- Bracket set allows grille guard to tilt forward for easy access to bumper, grille and lights, and clears hood when opening.
- Note: Installation requires access to tow hook receivers on frame through original bumper. If using aftermarket bumper, be sure that the tow hook receivers are accessible.
- Installation requires use of vehicles original tow hook pins/hardware.
- Wider lower spacing allows compatibility with electronic sensors, radar, VORAD systems.

ITEM #	MAKE/MODEL	YEAR
80110	FREIGHTLINER CASCADIA	2008-2017
80116	FREIGHTLINER CASCADIA	2018-2025
80112	KENWORTH T660	2008-2017
80111	KENWORTH T680	2013-2021
80118	KENWORTH T680	2022-2025
80112	PETERBILT 579	2012-2021
80112	PETERBILT 587	2010-2016
80118	NEW GEN PETERBILT 579	2022-2025
80113	VOLVO VNL	2003-2017
80117	VOLVO VNL	2018-2024
80114	INTERNATIONAL PROSTAR	2006-2017
80114	INTERNATIONAL LT	2018-2025