

## POWER WINDOW REGULATORS

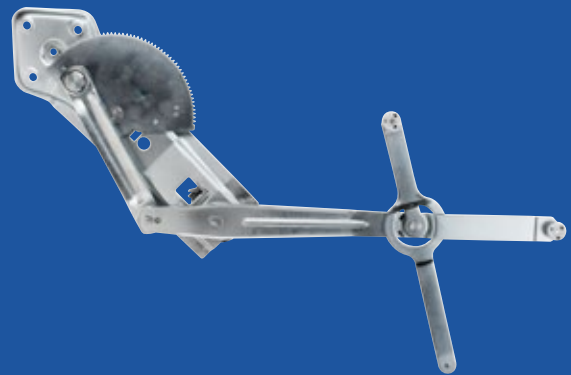
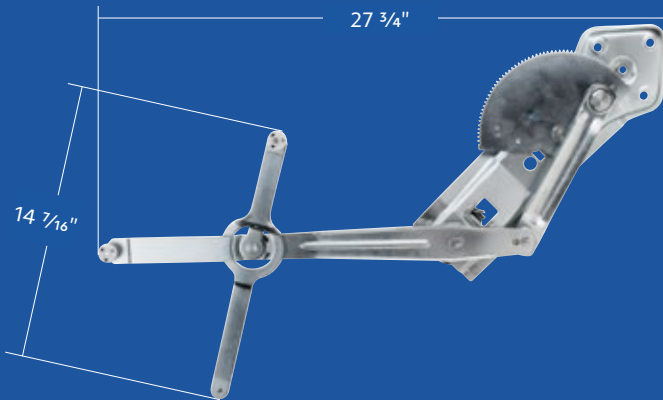
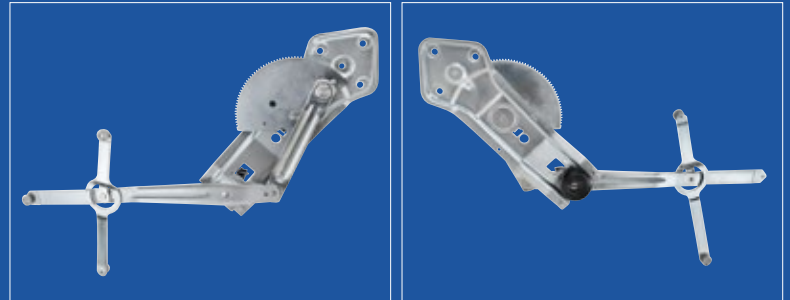
## 1978-1981 CHEVROLET & GMC TRUCK



### Power Window Regulators

#### 1978-1981 Chevrolet & GMC Truck

- Excellent quality high strength steel stamping
- Original style power regulator with correct spring loaded guide roller
- Features 1/4"-20 square nuts for easy installation to door shell
- Not for vehicles equipped with manual windows
- Motor and gearbox not included
- Also fits 1977-1981 Chevrolet/GMC Blazer/Jimmy & Suburban with power windows



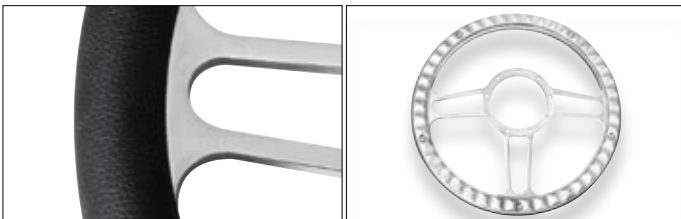
**111082** | Power Window Regulator L/H | 1 Pc. / Each

**111083** | Power Window Regulator R/H | 1 Pc. / Each

### 14" Chrome Aluminum 3 Spoke Style 9-Screw Mount "Competition Series" Steering Wheel

- 14" chrome aluminum steering wheel with comfortable black leather grip
- Requires standard 9-screw steering wheel hub adapter and horn button kit, sold separately UP item #88305, 88306
- For off road use only

**88296** | 14" Chrome 3 Spoke Steering Wheel | 1 Pc. / Box



## High Power 18 LED 1157 Bulb

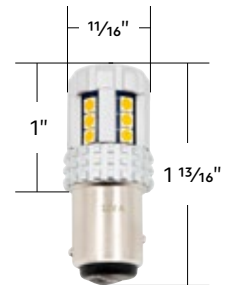
- Bright 18 LED 1157 bulb
- Dual contact standard bayonet mount base
- Full 360 degrees surround coverage and 180 degrees front illumination
- Designed to work with most 12V DC systems
- High function: 500 lumens, Low function: 110 lumens

<b>36389</b>	Amber LED	1 Pc. / Card
<b>36390</b>	Red LED	1 Pc. / Card
<b>36391</b>	White LED	1 Pc. / Card
<b>36392</b>	Blue LED	1 Pc. / Card
<b>36393</b>	Green LED	1 Pc. / Card
<b>36394</b>	Purple LED	1 Pc. / Card

**18LEDs**

**LOW 110 LUMENS**

**HIGH 500 LUMENS**



## High Power 6 LED 1157 Bulb (Pair)

- 6 high power LED 1157 bulb
- Dual contact standard bayonet mount base
- High function: 100 lumens, Low function: 60 lumens
- Works on 12V DC systems
- Sold in pairs

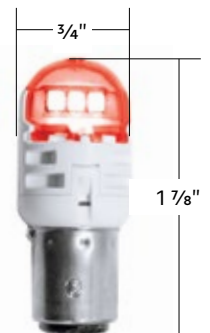
<b>36427</b>	Amber LED	2 Pcs. / Cbox
<b>36428</b>	Red LED	2 Pcs. / Cbox
<b>36429</b>	White LED	2 Pcs. / Cbox

**2 SOLD IN PAIRS**

**6 LEDs**

**LOW 60 LUMENS**

**HIGH 100 LUMENS**

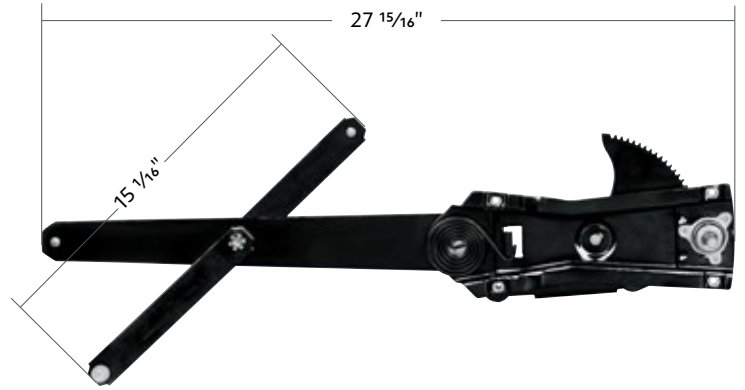


**BACK IN STOCK**

## Window Regulator

**1955-1959 Chevrolet & GMC Truck**

- High strength steel stamping
- Includes counter balance spring
- Black EDP coating for better corrosion resistance



**116551** | Window Regulator L/H

| 1 Pc. / Each



**116552** | Window Regulator R/H

| 1 Pc. / Each

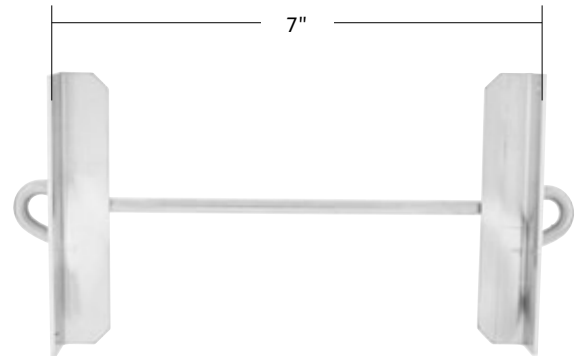
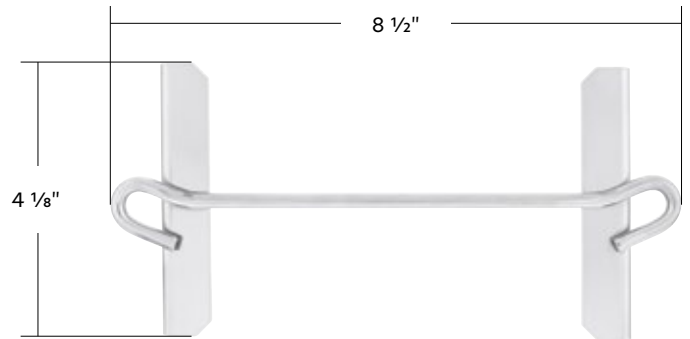
**BACK IN STOCK**

## Stainless Steel Battery Hold-Down Bracket

**1958-1966 Chevy & GMC Truck**

- 304 premium grade stainless steel
- Identical design as original

**110473** | SS Battery Hold-Down Bracket | 1 Pc. / Each



WELCOME TO YOUR  
**ALL-IN-ONE DEALER PORTAL**

ONE-STOP ONLINE BUYING EXPERIENCE.

**CONTACT US TO SIGN UP TODAY!**

T 866.327.5288  
F 888.986.6088  
[classic.upauto.com](http://classic.upauto.com)