

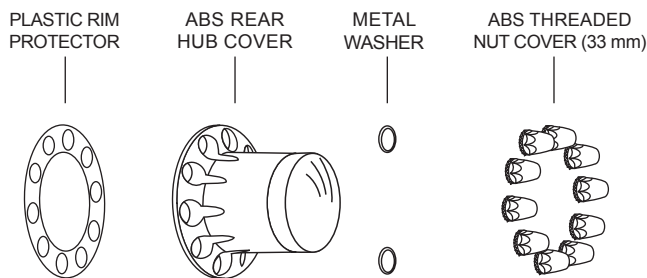
CHROME PLASTIC REAR AXLE COVER KIT WITH REMOVABLE HUB CAP

MOUNTING INSTRUCTION

- FITS 10-HOLE, 22 1/2" AND 24 1/2" HUB AND STUD PILOTED WHEELS
- FITS 33mm AND 1 1/2" NUT COVERS
- NUT COVERS ARE AVAILABLE THREADED (SCREWS DOWN ON STUDS AND HUBCAP) OR PUSH-ON
- REAR AXLE COVER IS AVAILABLE WITH REMOVABLE CAP FOR EASY ACCESS
- FITS ALL 11 1/4" BOLT CIRCLE WHEELS
- MADE FROM PLASTIC THAT IS HIGH-IMPACT, LIGHT-WEIGHT, AND FLEXIBLE
- HIGH-SHINE CHROME FINISH RESISTS DENTS AND NICKS AND NEVER RUSTS

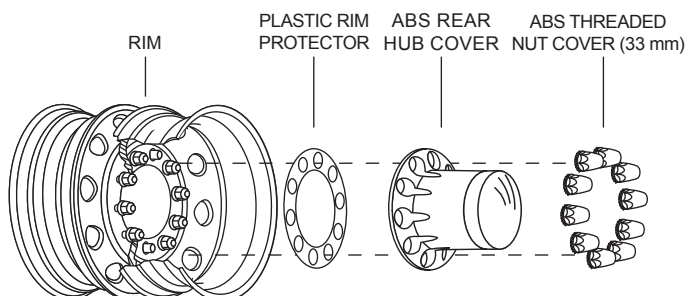
REAR AXLE COVER KIT CONTAINS THE FOLLOWING:

REAR HUB COVER WITH OPTIONAL REMOVABLE CAP, 10 NUT COVERS, PLASTIC RIM PROTECTOR AND 2 METAL WASHERS (INCLUDED WITH PUSH-ON NUT COVERS ONLY). FOR INSTALLATION ON AN ALUMINUM WHEEL, INSERT THE ENCLOSED PLASTIC RIM PROTECTOR BETWEEN THE ALUMINUM RIM AND THE FRONT COVER.



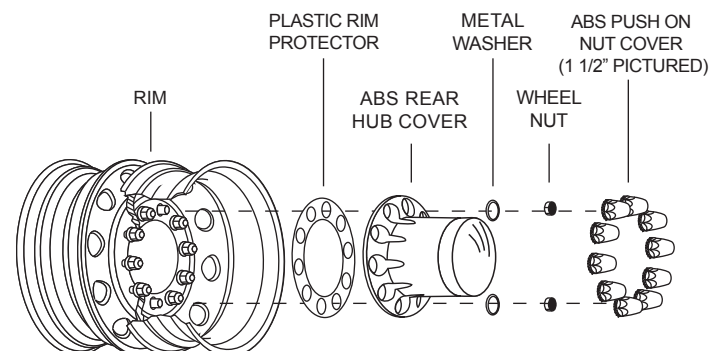
33mm THREAD-ON INSTRUCTION (A MINIMUM OF 3 THREADS EXTENDING THROUGH THE TOP EACH NUT IS REQUIRED FOR INSTALLATIONS):

1. Remove from box.
2. For installation on an aluminum wheel, insert the enclosed plastic rim protector between the aluminum rim and the Rear Axle Cover.
3. Align all 10 holes of the cover over the studs and nuts.
4. Install 33mm threaded nut covers on each stud by turning clockwise until locked. A clicking sound should occur. Nut covers should now be secure on each nut.



33mm OR 1 1/2" PUSH-ON INSTRUCTION (FOR USE WITH SHORTER STUDS WHEN NO THREADS ARE AVAILABLE):

1. Remove from box.
2. For installation on an aluminum wheel, insert the enclosed plastic rim protector between the aluminum rim and the Rear Axle Cover.
3. Remove two opposite 33 mm or 1 1/2" wheel nuts from the wheel and align all 10 holes of the cover over the studs and nuts.
4. Install one metal washer over each stud with the removed 33 mm or 1 1/2" wheel nut by inserting the tab into the inner guide hole so that the washer lays flat side up. (The raised surface of the washer should face the inside rim of the hole.)
5. Re-install the 33 mm or 1 1/2" wheel nuts (over the metal washers.) Please note: wheel nuts should face the inside rim of the hole.
6. Install 33 mm or 1 1/2" nut covers on each nut by pushing until the nut cover is flush with the inside rim of the hole. Nut cover should now be secure on each nut.



CAUTION:

THE PLASTIC RIM PROTECTOR MUST BE USED WHEN THIS PRODUCT IS PLACED ON ANY ALUMINUM RIM TO PREVENT COSMETIC DAMAGE ON THE SOFT ALUMINUM RIM. UNITED PACIFIC SHALL NOT BE RESPONSIBLE FOR IMPROPER INSTALLATION OF THE PRODUCT.