

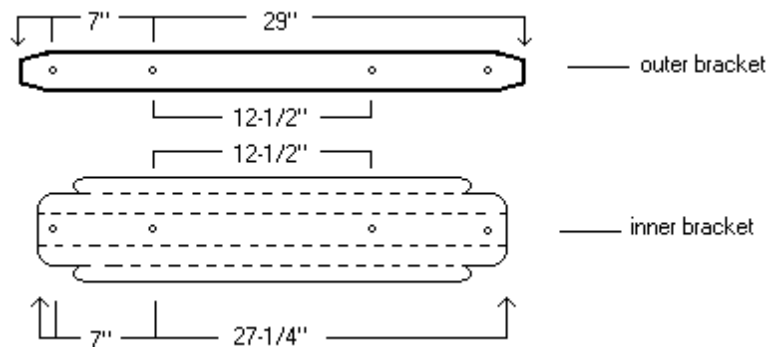
Stainless Steel Accessories

Sloped/ widened sunvisors installation instructions

11/19/2020

* NOT INSTALLING SUPPORT BRACKET MAY CAUSE CAB ROOF DAMAGE*

1. Remove Plastic coating around all bolt holes.
2. Do not tighten bolts with locknuts all the way until last step.



3. Hold inner (inside cab) support bracket in place over center post of windshield and drill two center holes to line up with outersupport bracket.
4. Install 1-1/2" Phillips head bolts through the column and fasten supplied nuts and washers.
5. Drill two remaining holes in column, finish fastening with bolts and nuts provided.
6. Install brackets on roof to line up with insert holes in roof making sure brackets are installed in their proper position (i.e.) center, outers, and inners. Do not tighten completely, use generous amounts of silicone to seal holes for leakage.
7. Install Sunvisor onto brackets while lining up holes. 1/4" Phillips head bolts may be reused from original visor. Do not completely tighten bolts.
8. Install end bolts from original visor. Do not tighten completely.
9. Tighten all bolts beginning with visor into brackets, then tighten brackets to roof and ends.

SUPPLIED HARDWARE

1- Center bracket	10- 1/4" locknuts S.S
2- Inner bracket	4- 10/32 Phillips truss head 1-1/2" S.S
2- Outer bracket	4- 10/32 flat washers S.S
10- Hex head 1/4" x 3/4" bolts S.S	4- 3/16" plastic washers
10- 1/4" flat washers S.S	4- 10/32 locknuts S.S
10- 1/4" plastic flat washer	1- inside post long bracket
1- outside post long bracket	1- small "L" shaped bracket S.S

Page 1 of 1

11192020



Reliable. Hardworking. Quality Products.