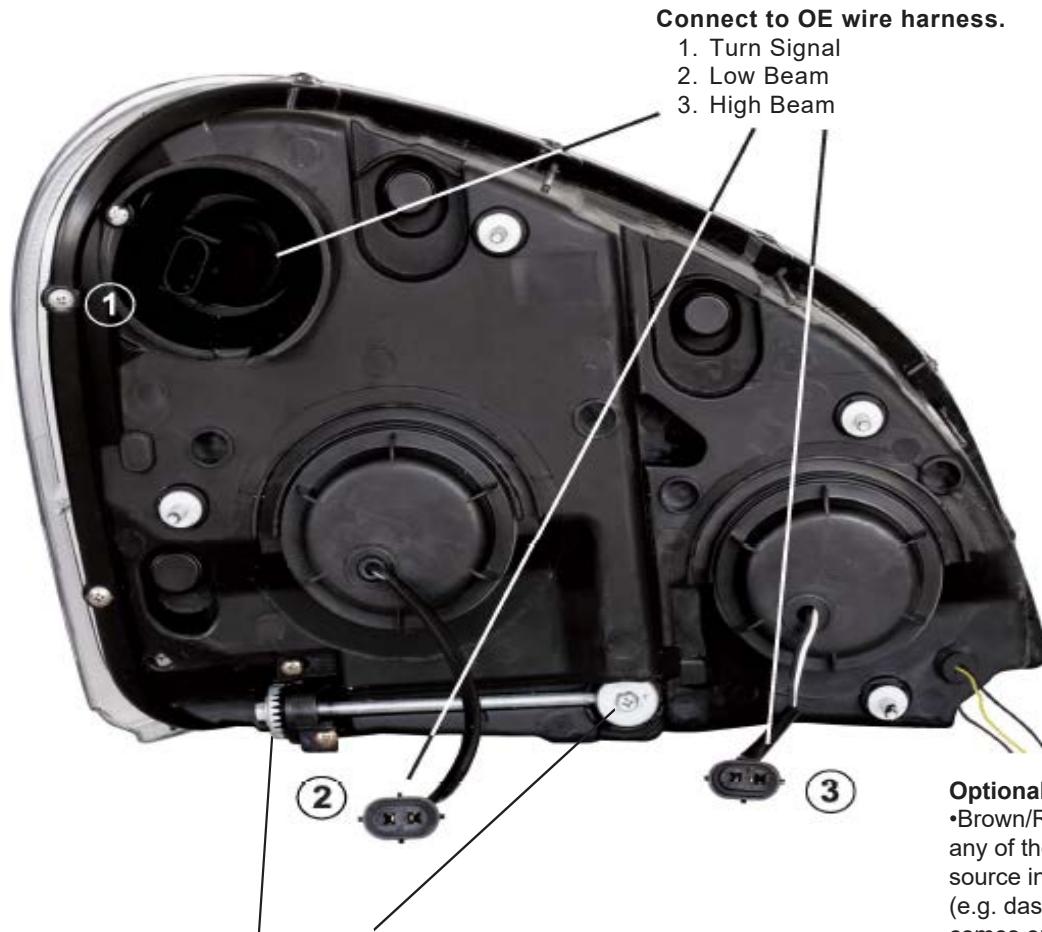




United Pacific

# PROJECTION HEADLIGHT

Item #31286, 31287, 31270, 31271, \*31226, \*31227, \*31228, \*31229



Connect to OE wire harness.

1. Turn Signal
2. Low Beam
3. High Beam

## High/Low Beam Adjuster:

Clockwise = Beam DOWN  
Counter clockwise = Beam UP

## Normal Fogging / Condensation

This bulletin provides information regarding headlights that may experience fogging or condensation inside of the headlamp assembly. A drop in air temperature may cause condensation to form on the inside of a cool headlamp lens. Generally, fogging is considered normal and can be eliminated by turning on the headlamp with the engine running for several minutes. In most cases, operating the vehicle in normal driving condition will clear the headlamp fogging. Headlamp assembly replacement **WILL NOT** be necessary in most cases.

## Note

- If any of the following conditions occur, please consult with a professional mechanic to determine the water source:
  - If condensation/fogging fails to dissipate after operating the headlight with the engine running for 30 minutes
  - If water pooled inside the headlamp
- A high pressure washer may also cause water to be forced into the headlamp assembly.

## Optional LED position light bar wiring instruction (3 or 2 loose wire leads):

•Brown/Red Wire - Positive wire (dual function version's Low function), must NOT be hooked into any of the OE harnesses. It is recommended this Brown Positive Wire be hooked to a 12v + source independent of the OE light harnesses. Locate a power wire which activates an accessory (e.g. dash auxiliary) when the ignition is in the "ON" position, so that the LED position light only comes on when the truck ignition is "ON" and running.

•\*Yellow Wire - Positive wire (dual function version's High function). Can be use as turn signal, simply tap into truck's signal turn power wire.

Black Wire - Ground, connects to body of the truck.