

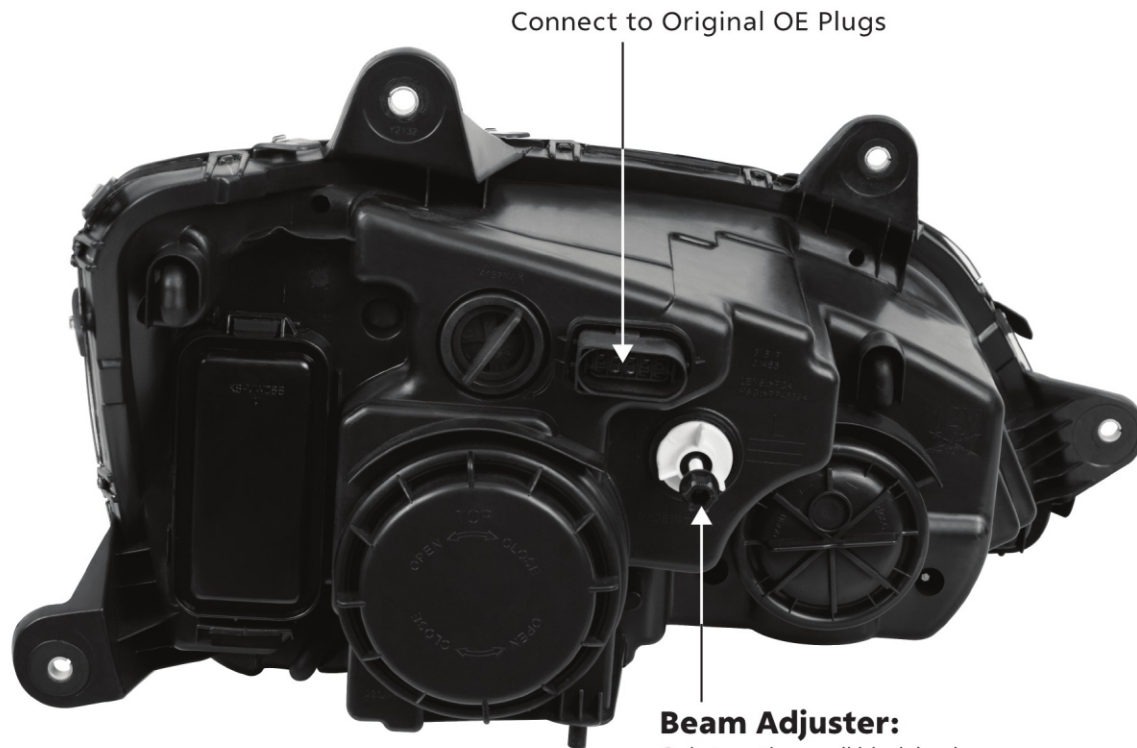


United Pacific

HIGH POWER PROJECTION HEADLIGHT

Item Numbers: 31293, 31294

Connect Plug to Original OE Wire Harness Indicated Below



Connect to Original OE Plugs

Beam Adjuster:

Only turn the small black knob.
Do not turn the white base ring.
Clockwise = Beam DOWN
Counterclockwise = Beam UP

Normal Fogging / Condensation

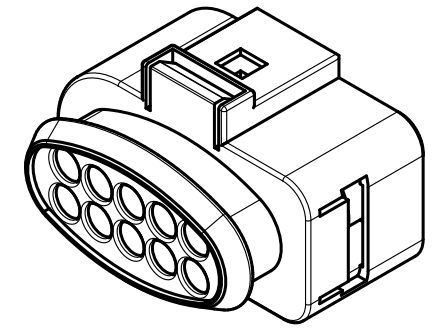
This bulletin provides information regarding headlights that may experience fogging or condensation inside of the headlamp assembly. A drop in air temperature may cause condensation to form on the inside of a cool headlamp lens. Generally, fogging is considered normal and can be eliminated by turning on the headlamp with the engine running for several minutes. In most cases, operating the vehicle in normal driving condition will clear the headlamp fogging. Headlamp assembly replacement **WILL NOT** be necessary in most cases.

Note

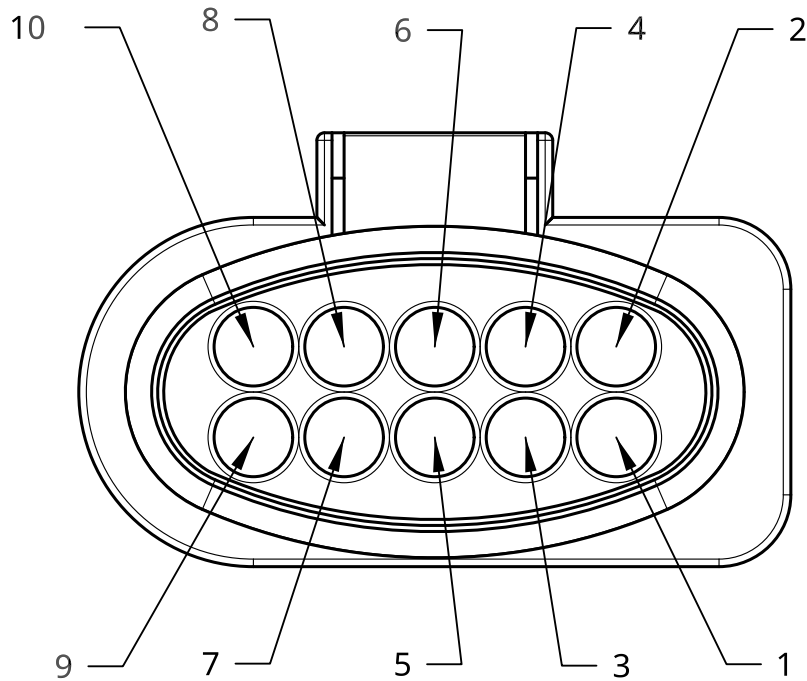
- If any of the following conditions occur, please consult with a professional mechanic to determine the water source:
 - If condensation/fogging fails to dissipate after operating the headlight with the engine running for 30 minutes
 - If water pooled inside the headlamp
- A high pressure washer may also cause water to be forced into the headlamp assembly.

2

1



SCALE 1:1



Pin #	T680	T660
1	HL Hi	DRL/Sidemarker
2	Signal	Not Use
3	DRL	Signal
4	Sidemarker	Signal/DRL (-)
5	Not Use	HL Low
6	Signal/DRL/SM (-)	HL (-)
7	HL Low	HL Hi
8	HL (-)	Not Use
9	Not Use	Not Use
10	Not Use	Not Use

NOTE: VIEW FROM BACK OF VEHICLE'S EXISTING HEADLIGHT WIRING HARNESS MALE CONNECTOR

TITLE			
T680 & T660 Headlight Connector Pinout			
SIZE	DWG NO.	REV.	
A	05072020		
SCALE	WEIGHT	SHEET	
2:1		1 of 1	

2

1