



United Pacific

HIGH POWER LED PROJECTION HEADLIGHT

Item Numbers: 35729, 35730, 35731, 35732

Connect Plug ① ② to Original OE Wire Harness

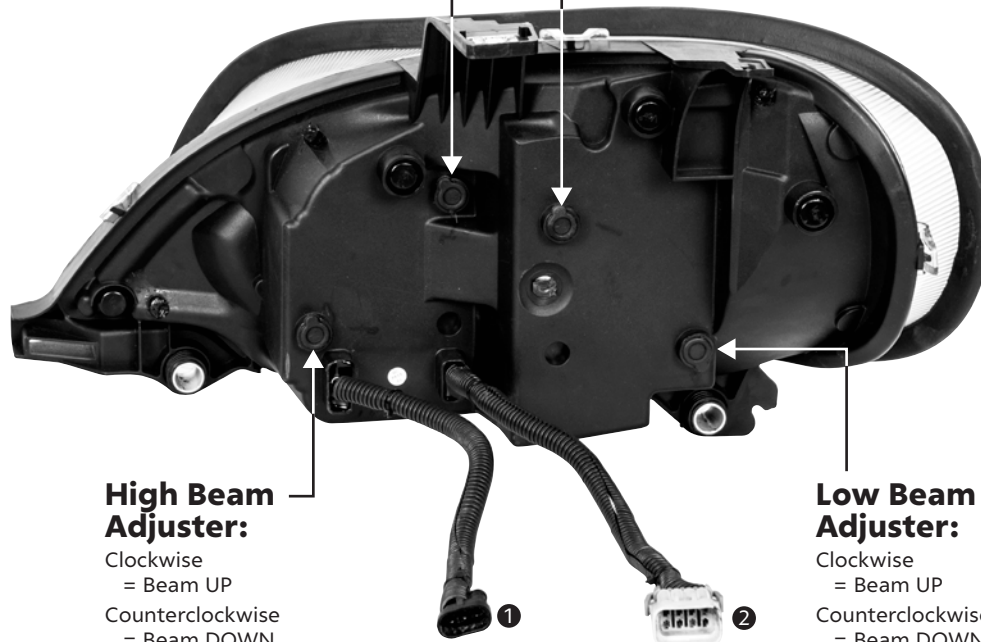
① Turn signal / LED light bar; ② Low beam / High beam

High Beam Adjuster:

Clockwise
= Beam LEFT
Counterclockwise
= Beam RIGHT

Low Beam Adjuster:

Clockwise
= Beam RIGHT
Counterclockwise
= Beam LEFT



High Beam Adjuster:

Clockwise
= Beam UP
Counterclockwise
= Beam DOWN

Low Beam Adjuster:

Clockwise
= Beam UP
Counterclockwise
= Beam DOWN

Normal Fogging / Condensation

This bulletin provides information regarding headlights that may experience fogging or condensation inside of the headlamp assembly. A drop in air temperature may cause condensation to form on the inside of a cool headlamp lens. Generally, fogging is considered normal and can be eliminated by turning on the headlamp with the engine running for several minutes. In most cases, operating the vehicle in normal driving condition will clear the headlamp fogging. Headlamp assembly replacement **WILL NOT** be necessary in most cases.

Note

- If any of the following conditions occur, please consult with a professional mechanic to determine the water source:
 - If condensation/fogging fails to dissipate after operating the headlight with the engine running for 30 minutes
 - If water pooled inside the headlamp
- A high pressure washer may also cause water to be forced into the headlamp assembly.