



United Pacific

# HIGH POWER LED HEADLIGHT

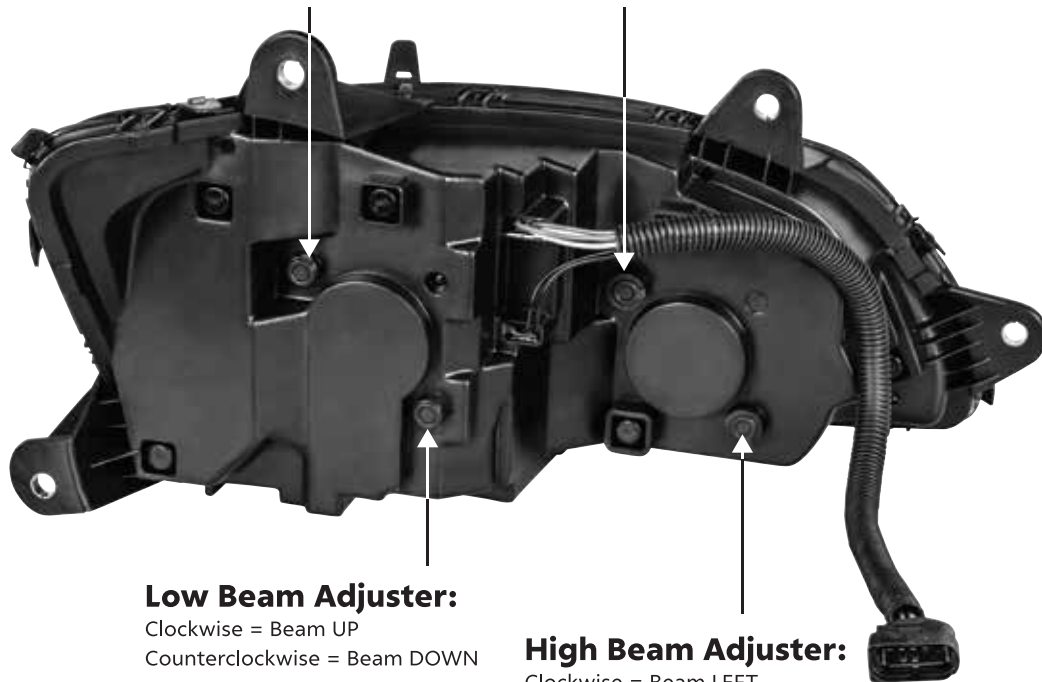
Item Numbers: 35771, 35772, 35773, 35774

## Low Beam Adjuster:

Clockwise = Beam RIGHT  
Counterclockwise = Beam LEFT

## High Beam Adjuster:

Clockwise = Beam DOWN  
Counterclockwise = Beam UP



## Low Beam Adjuster:

Clockwise = Beam UP  
Counterclockwise = Beam DOWN

## High Beam Adjuster:

Clockwise = Beam LEFT  
Counterclockwise = Beam RIGHT

## Normal Fogging / Condensation

This bulletin provides information regarding headlights that may experience fogging or condensation inside of the headlamp assembly. A drop in air temperature may cause condensation to form on the inside of a cool headlamp lens. Generally, fogging is considered normal and can be eliminated by turning on the headlamp with the engine running for several minutes. In most cases, operating the vehicle in normal driving condition will clear the headlamp fogging. Headlamp assembly replacement **WILL NOT** be necessary in most cases.

## Note

- If any of the following conditions occur, please consult with a professional mechanic to determine the water source:
  - If condensation/fogging fails to dissipate after operating the headlight with the engine running for 30 minutes
  - If water pooled inside the headlamp
- A high pressure washer may also cause water to be forced into the headlamp assembly.