

# LED BEACON

## OPERATION

**RED:** To +VDC

**BLACK:** To Chassis Ground (-)

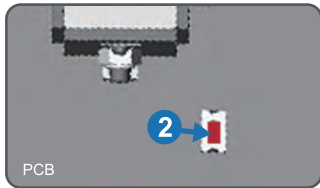
## FLASH PATTERN SELECTION

### 1. Open

Twist the dome lens counter clockwise **1**, then lift the dome lens to open.

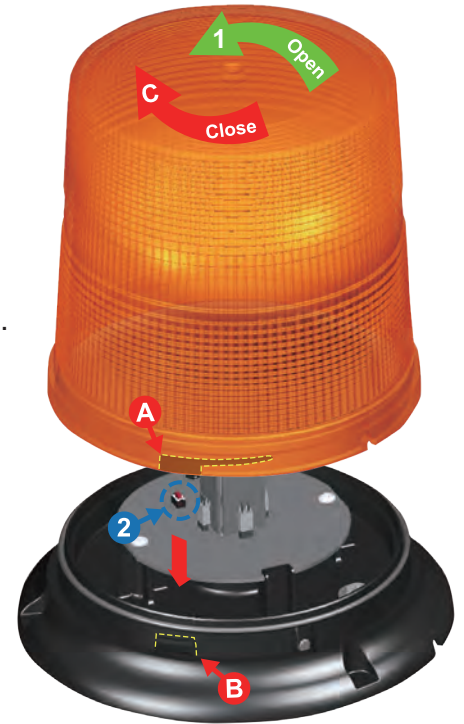
### 2. Change

Momentarily push the red button to change to the next flash pattern.  
(see Flash Patterns Chart)



### 3. Close

Align dome indent **A** with base **B**, then twist clockwise **C** to close.



## FLASH PATTERNS

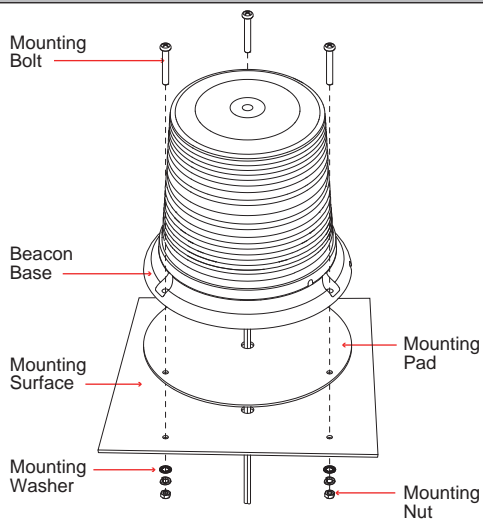
1	8 Flash	4	Triple
2	Single	5	Quad
3	Double		

**NOTE:** This unit may not be factory-set at FP#1

### WARNING:

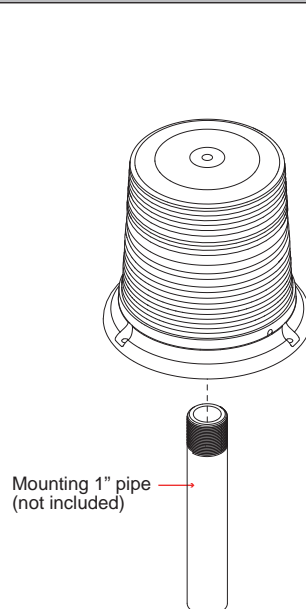
It is not recommended to use magnetically mounted warning devices on outside of vehicle in motion. Usage is at the sole risk and responsibility of the user.

### 3 Bolt Mount

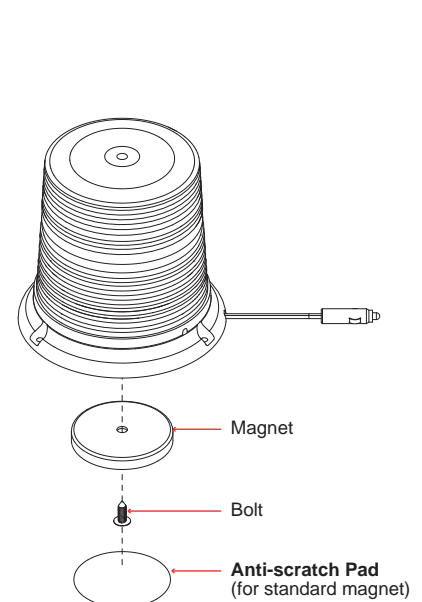


1. Drill holes on the mounting surface for the wire-exit and mounting bolts.
2. Secure the beacon onto the mounting surface with mounting bolts.

### 1" Pipe Mount



### Magnetic Mount



**NOTE:** All diagrams may not show in scale.