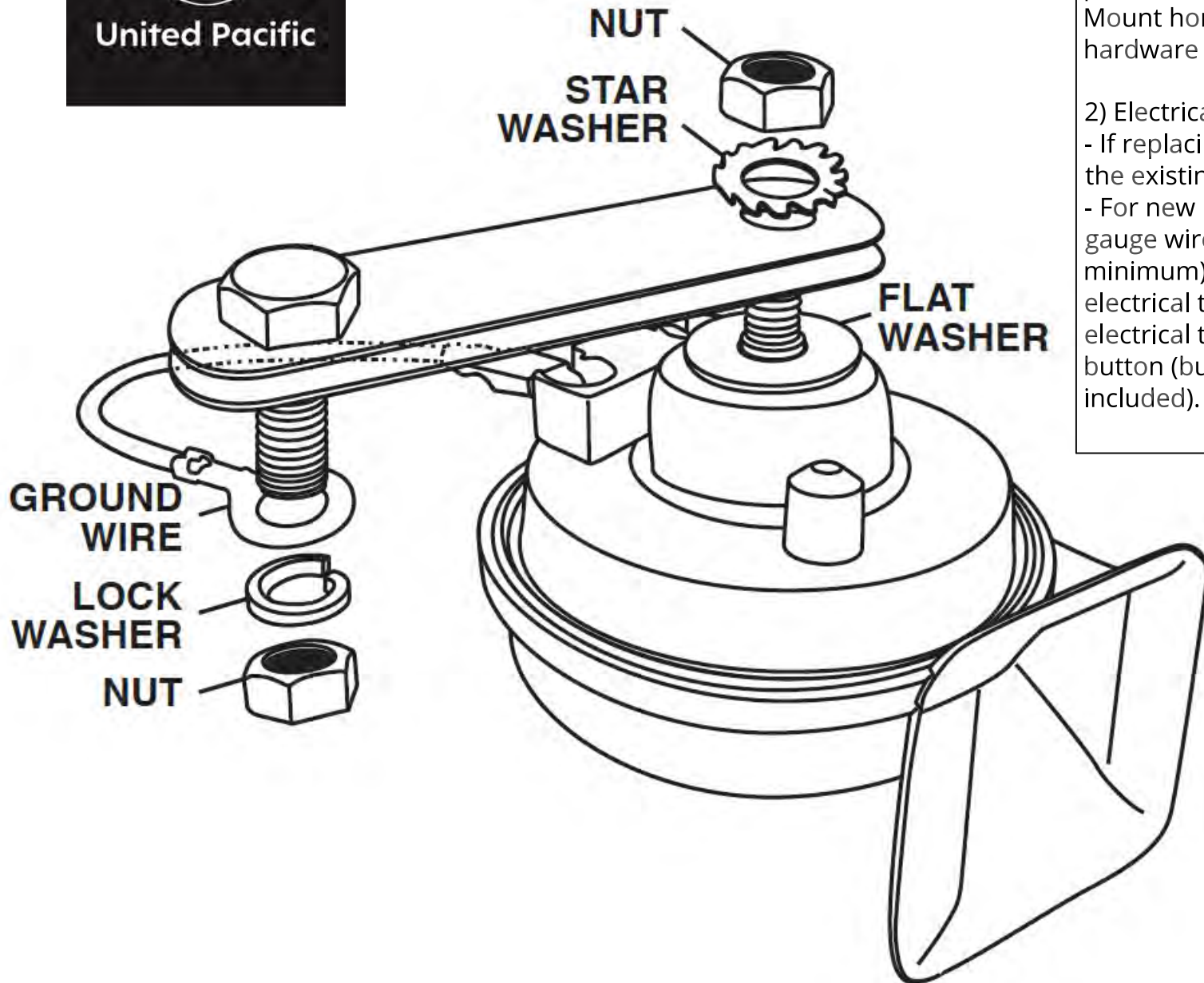




United Pacific



INSTALLATION INSTRUCTIONS:

1) Position with open end facing down to prevent dirt & moisture from entering horns. Mount horns with the included hardware as shown below.

2) Electrical connection:

- If replacing existing horns, simply connect to the existing wires.
- For new installation with simple button, 12-14 gauge wire is recommended (16 ga. is minimum) with a 15 amp fuse. Connect one electrical terminal to ground, and the other electrical terminal to 12 volts controlled by the button (button and wiring supplies not included).

Periodic Maintenance:

- 1) Make sure electrical connections are tight and clean.
- 2) Make sure mounting hardware is secure
- 3) Clean and wax chrome horns with regular automotive wax.

Caution:

Failure to install the horns according to these instructions will void the warranty. Water damage or impact from road debris is not covered under warranty.

Item No. 46101

Product Name:

Chrome Plated Dual Tone Horn

Rev No. 12122019