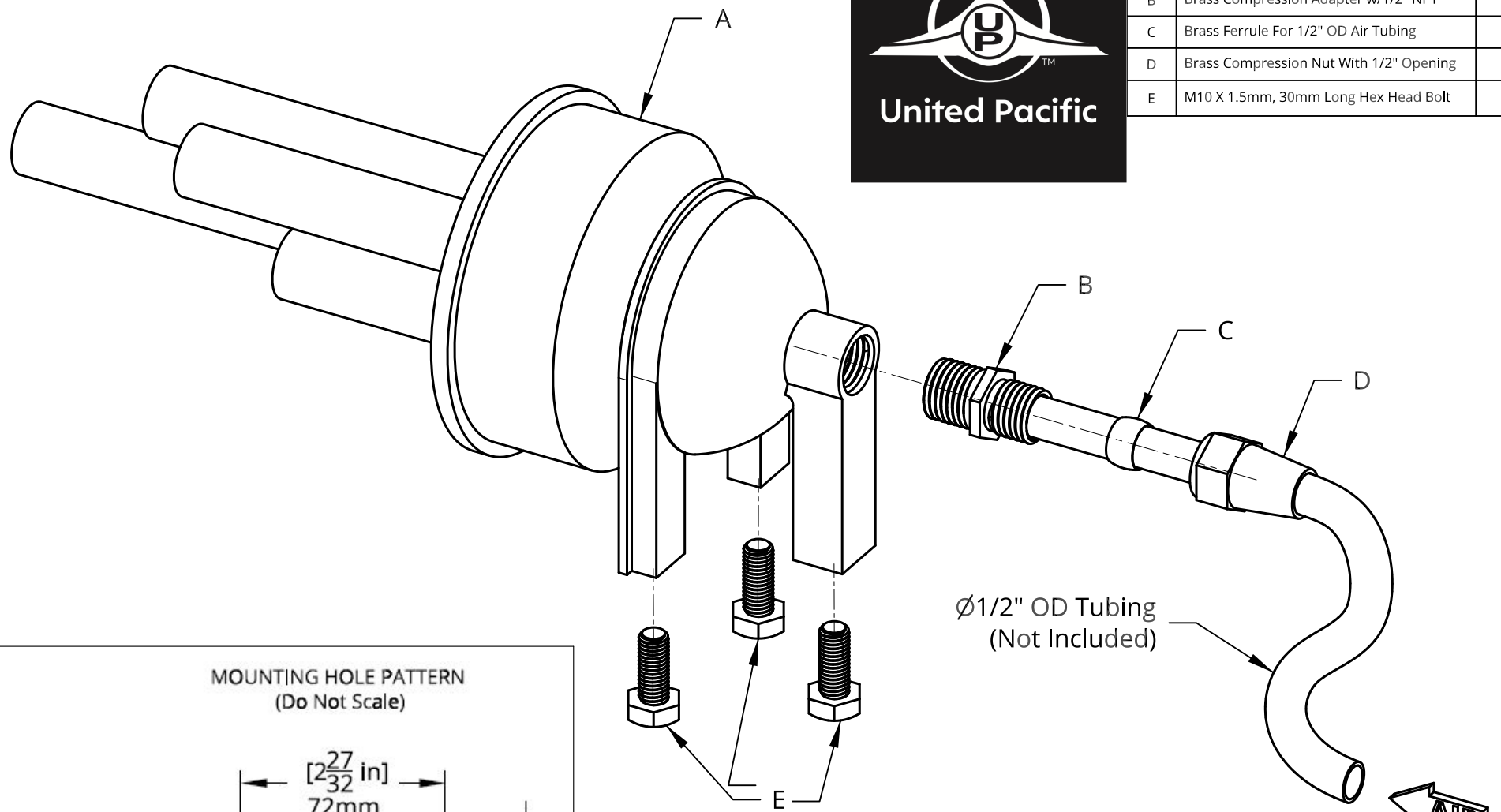
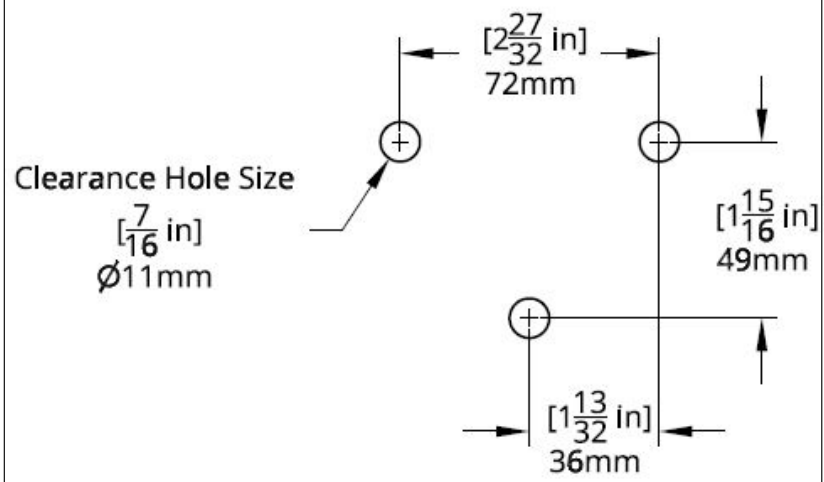




No.	DESCRIPTION	QTY in Kit
A	Chrome Plated Train Whistle	1
B	Brass Compression Adapter w/1/2" NPT	1
C	Brass Ferrule For 1/2" OD Air Tubing	1
D	Brass Compression Nut With 1/2" Opening	1
E	M10 X 1.5mm, 30mm Long Hex Head Bolt	3



MOUNTING HOLE PATTERN  
(Do Not Scale)



Use of an air control valve or lever is highly recommended.

- United Pacific has many styles available.
- Please search for "Air Horn Lever" on our website, or ask one of your local truck accessories retailers.

Item No. 46107  
Product Name: Chrome Plated  
Vintage Style Train Whistle

Rev No. 03162020