

Read all instructions before beginning installation.

## LOCATING MOUNTING POSITION

Reference Drawing "A"

**IMPORTANT:** Mounting base must be mounted to take advantage of the strongest portion of the hood/grill or structural supports in the hood area. This area is generally found in the front of the hood. Failure to locate as described may result in hood damage. Some vehicle designs may be suitable for this product or may require the addition of a larger backing plate to provide additional support for the hood.

1. Bracket system comes partially assembled and pre-torqued from factory. If preferred, replace curved extension arm (#6) with straight extension arm (#9) included in kit.
2. Install convex mirror (#15) to extension arm (#6 or #9).
3. With someone positioned in the driver's seat, hold hood assembly up against right side of hood/grill area.
4. Adjust mounting base location and extension arms until driver is able to see the desired viewing area.
5. When desired mirror location is determined, mark position of mounting base on hood/grill with pencil.
6. Using gasket (#11) as template, mark location of four mounting holes.
7. Spot center of mounting holes with center punch.
8. Drill four 9/32" mounting holes. **WARNING: AREA TO BE DRILLED MUST BE FREE OF ALL ELECTRICAL WIRES, LINES, HOSES, ETC.!**

**IMPORTANT:** Mirror head should be located as low as possible and as close to vehicle as possible while still providing proper veiwing. Mounting base location must permit mounting bolt access from inside of hood/grill.

For alternative mount, use backing straps (#14) on Century class vehicles (see inset drawing).

## INSTALLATION OF MIRROR BRACKET TO HOOD

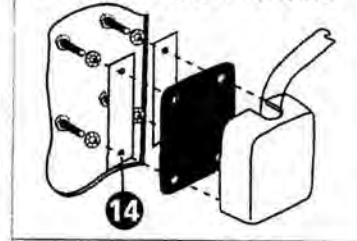
**IMPORTANT:** Once mounted to vehicle, some slight adjustment of base arm will still be possible. Do not continuously rotate. This may cause clamping system to loosen. The four 1/4" - 20 hex head bolts have been factory torqued to 60-75 in/lbs. If loosened, retighten to 60-75 in/lbs.

1. Remove mirror head from extension arm for easier installation
2. Mount mounting base with extension arm to hood with fasteners provided.
3. Mount mirror head to extension arm.
4. With someone in driver's seat, readjust extension arm with mirror head to obtain proper viewing.
5. Tighten compression nut (#7) on base arm and mirror, head mounting nut.

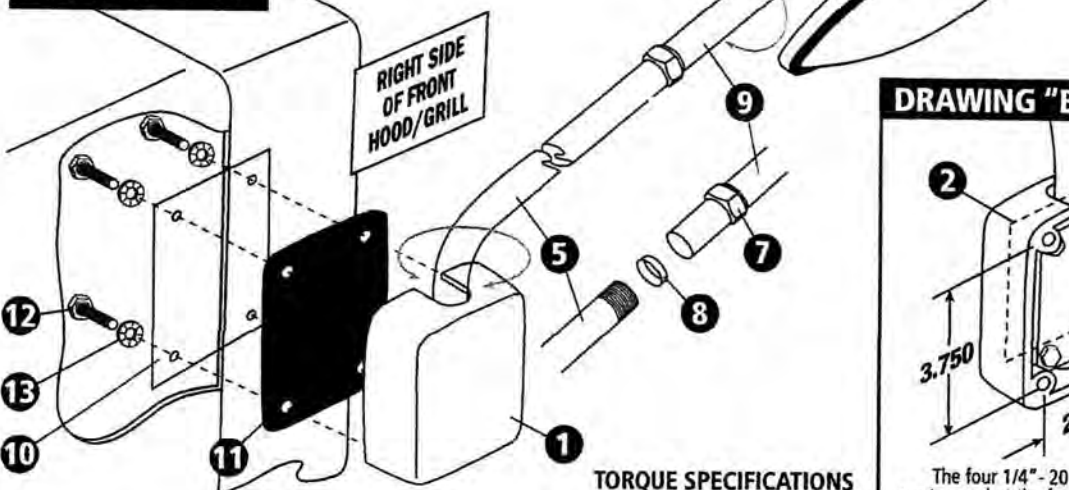
## Parts List

Number	Quantity	Part Description
1	1	Mounting Base
2	1	Bottom Mounting Bracket
3	1	Top Mounting Bracket
4	4	Hex Head Bolt (1/4" - 20 X 7/8")
5	1	Base Arm (threaded)
6	1	Curved Extension Arm
7	1	Compression Nut
8	1	Compression Sleeve
9	1	Straight Arm Extension
<small>(Items 10-14 are included in the hardware kit)</small>		
10	1	Backing Plate
11	1	Gasket
12	4	Hex Head Bolt (1/4"-20 X 1")
13	4	Internal Lockwashers (1/4")
14	2	Backing Strips (for Freightliner)
15	1	8.5" Convex Mirror Head Stainless Steel

### CENTURY HOOD MOUNTING



### DRAWING "A"



**TORQUE SPECIFICATIONS**  
60-75 IN/LBS

### DRAWING "B"

