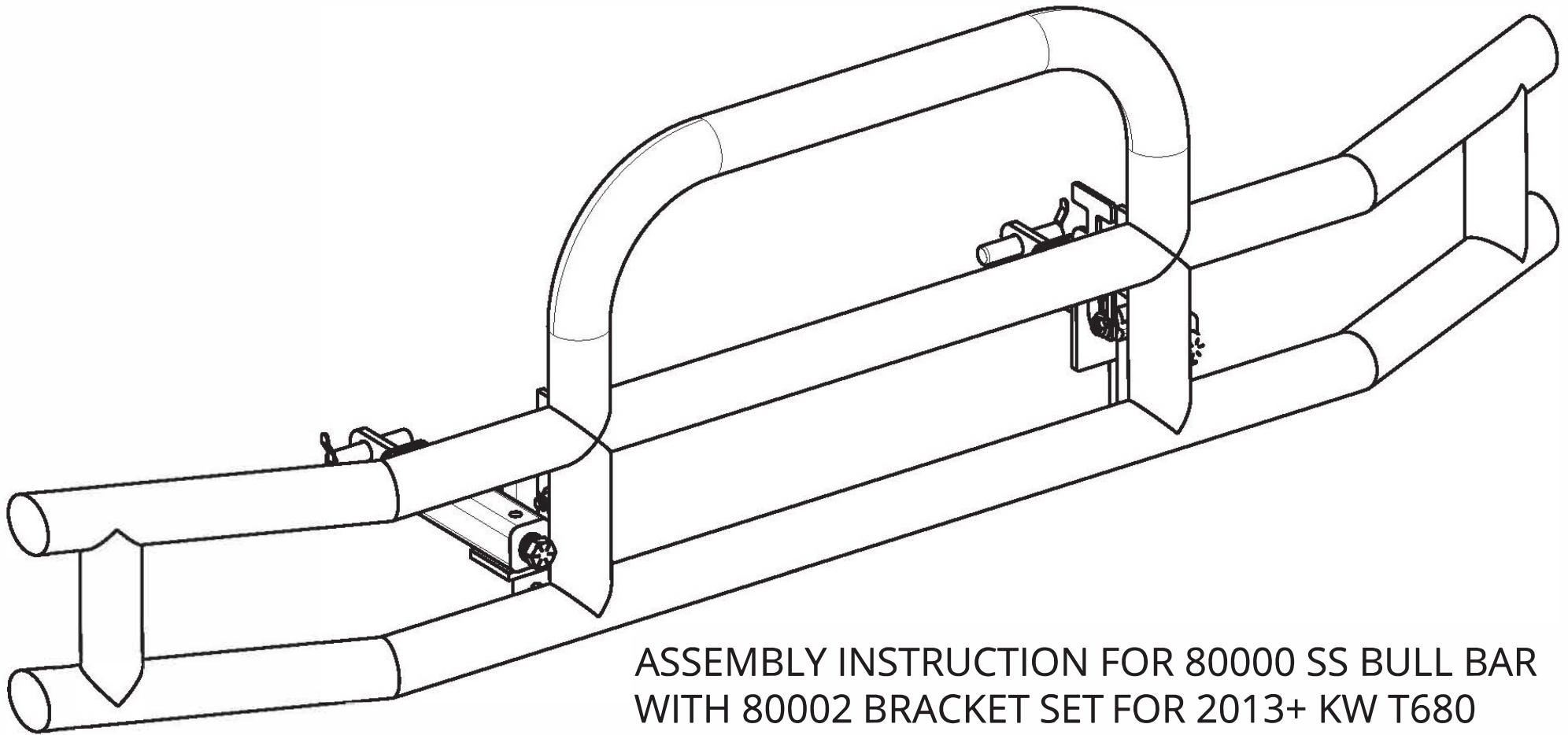


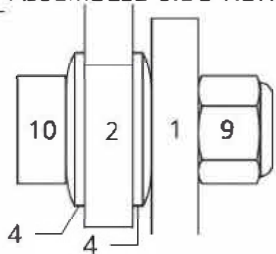


United Pacific

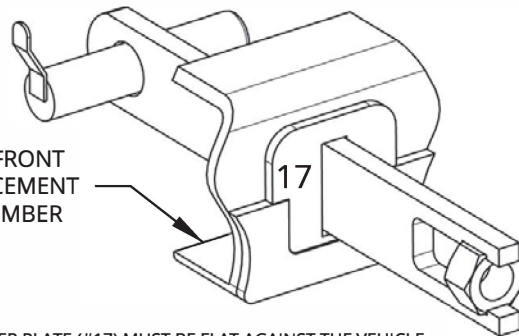


ASSEMBLY INSTRUCTION FOR 80000 SS BULL BAR
WITH 80002 BRACKET SET FOR 2013+ KW T680

10* ASSEMBLED SIDE VIEW

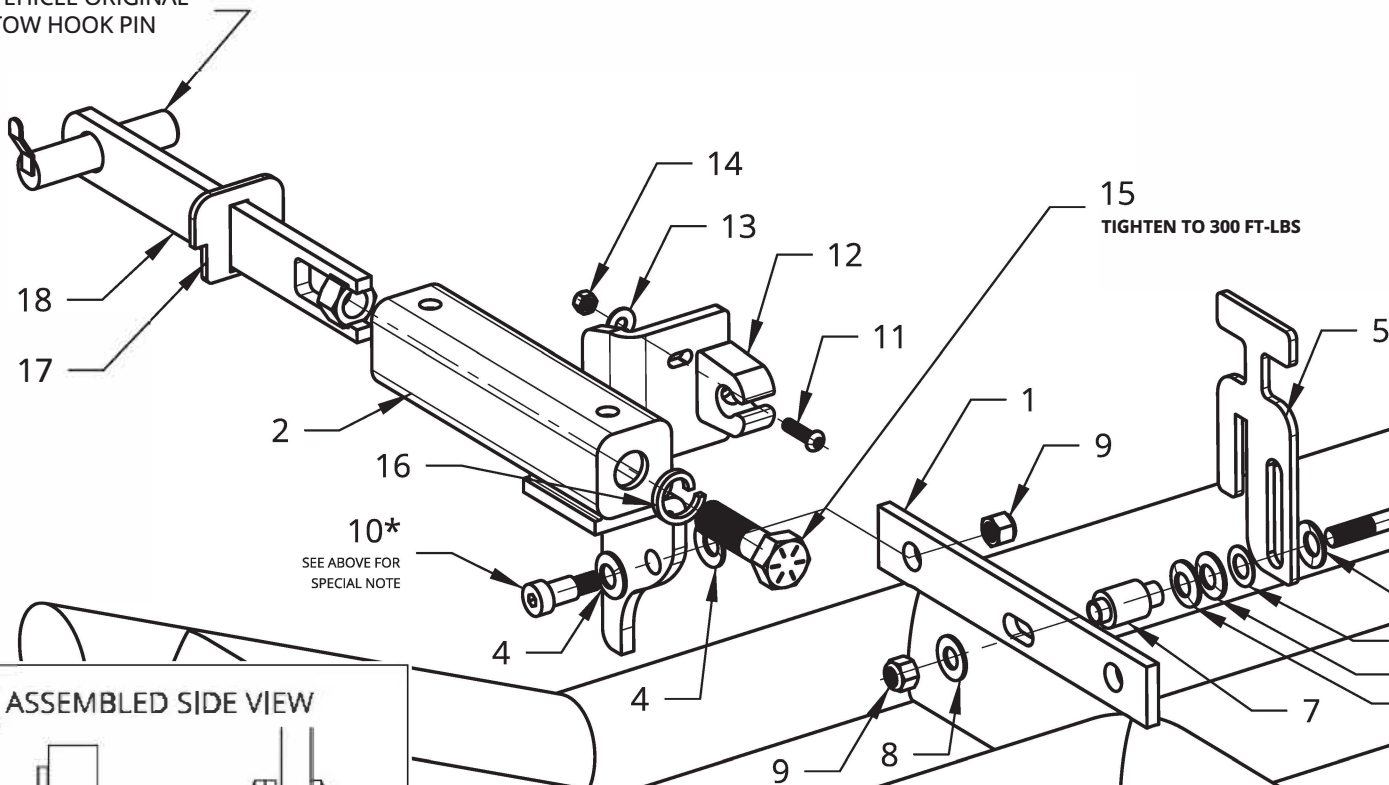


VEHICLE FRONT
REINFORCEMENT
CROSSMEMBER



NOTE: SPACER PLATE (#17) MUST BE FLAT AGAINST THE VEHICLE FRAME FACE BEFORE MOUNTING BRACKET (#2) IS TIGHTENED.

VEHICLE ORIGINAL
TOW HOOK PIN



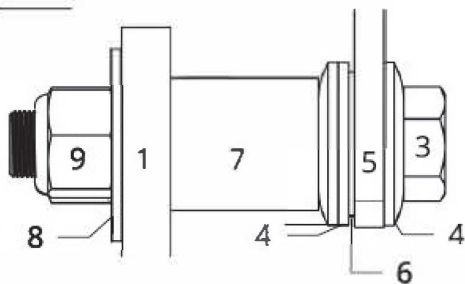
10*
SEE ABOVE FOR
SPECIAL NOTE

15
TIGHTEN TO 300 FT-LBS

3**
SEE LEFT FOR
SPECIAL NOTE

No.	DESCRIPTION	QTY/SET
1	304 SS BULL BAR	1
2	MOUNTING BRACKET (L+R)	1 PR
3	1/2"-13 X 3" HEX HEAD BOLT	2
4	SPRING WASHER	10
5	T-SLIDE KEY	2
6	PLASTIC WASHER	2
7	METAL SLEEVE	2
8	FLAT WASHER FOR 1/2" BOLT	2
9	1/2"-13 LOCK NUT WITH NYLON INSERT	4
10	1/2"-13 X 1-5/8" SHOULDER BOLT	2
11	5/16"-18 X 1-1/4" ROUND HEAD SCREW	2
12	RUBBER C-HOOK	2
13	FLAT WASHER FOR 5/16" SCREW	2
14	5/16"-18 LOCK NUT WITH NYLON INSERT	2
15	7/8"-9 X 3-1/2" HEX HEAD BOLT	2
16	SPLIT LOCK WASHER FOR 7/8" BOLT	2
17	T680 TOW RECEIVER SPACER PLATE	2
18	TOW HOOK RECEIVER ADAPTER	2

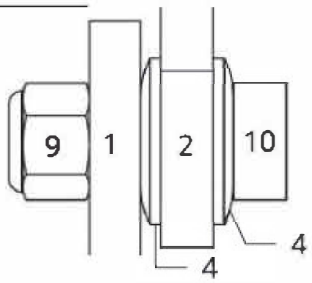
3** ASSEMBLED SIDE VIEW



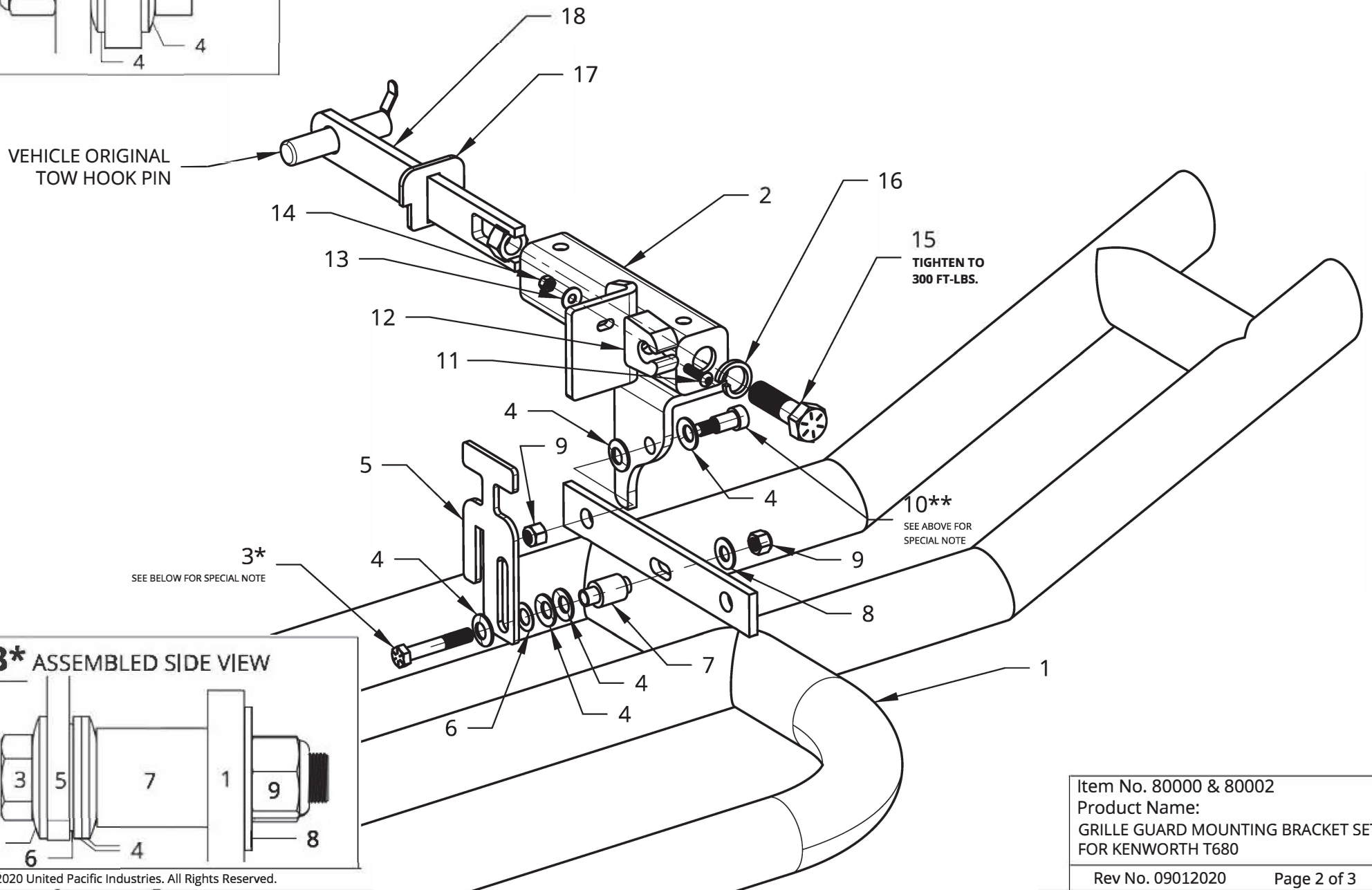
PASSENGER SIDE ASSEMBLY SHOWN

Item No. 80000 & 80002
Product Name:
GRILLE GUARD MOUNTING BRACKET SET
FOR KENWORTH T680

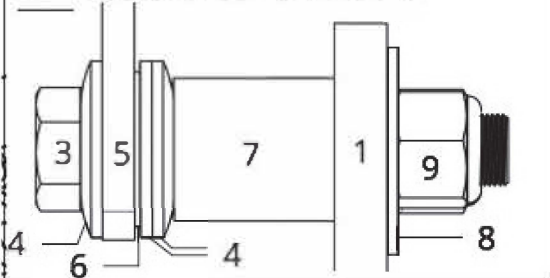
10** ASSEMBLED SIDE VIEW

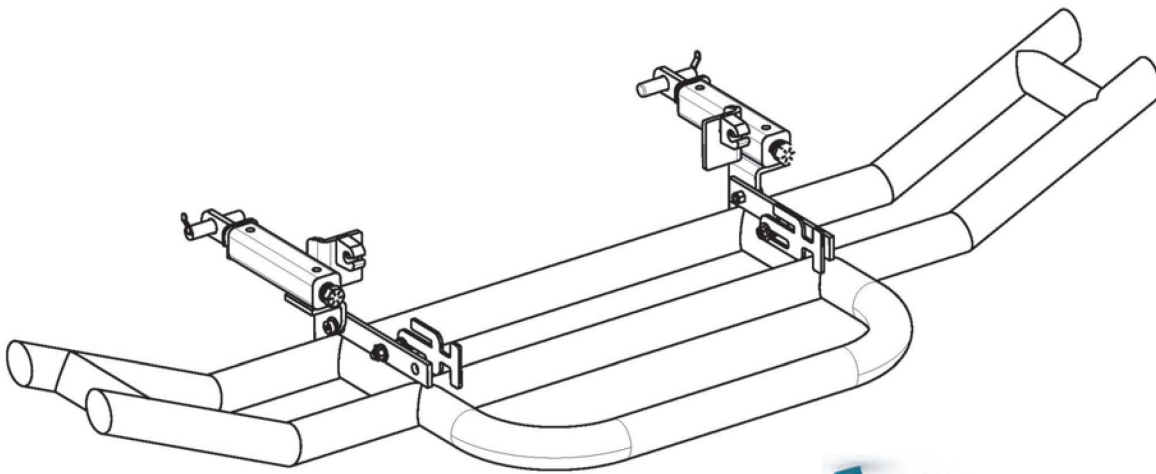


DRIVER SIDE ASSEMBLY SHOWN

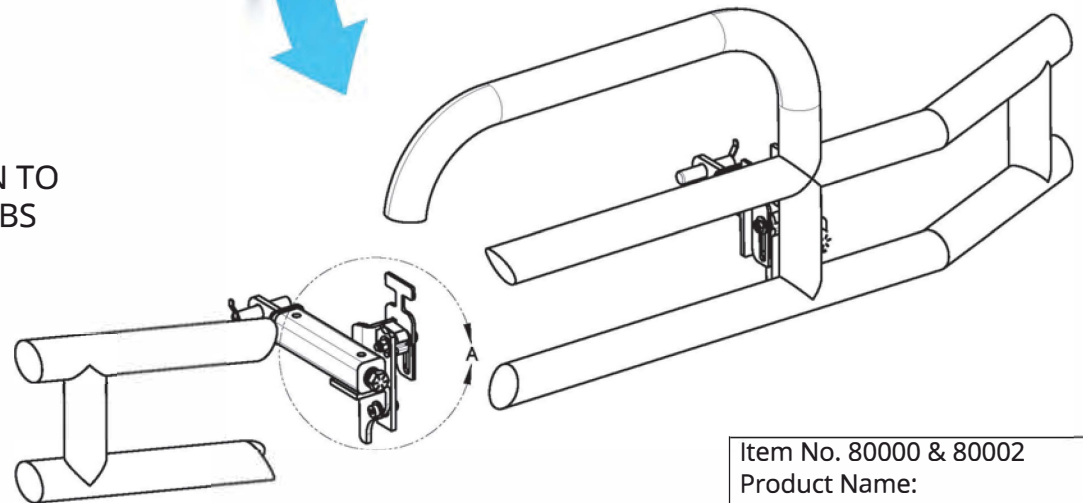
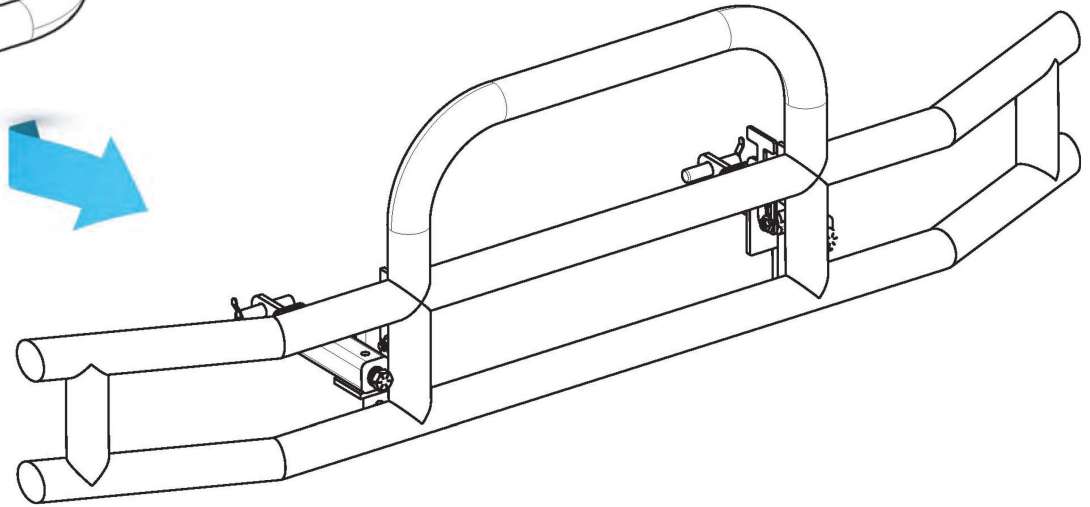


3* ASSEMBLED SIDE VIEW

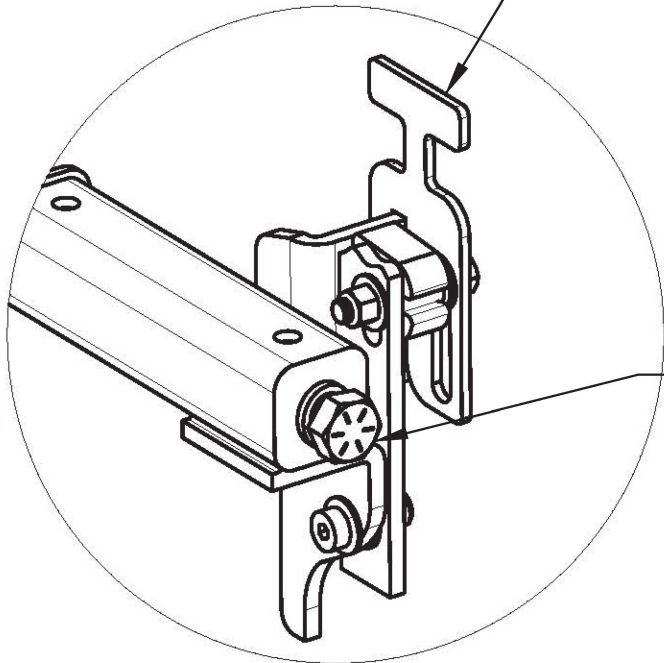




NOTE: TO AVOID BULL BAR FROM ACCIDENTALLY TILTING FORWARD, THE T-SLIDE KEY (#5) MUST BE ALL THE WAY DOWN. BE SURE TO TIGHTEN THE T-SLIDE BOLT SECURELY, BUT STILL ALLOW T-SLIDE KEY TO MOVE WITH AID OF HAMMER OR PRY BAR.



TIGHTEN TO
300 FT-LBS



DETAIL A

Item No. 80000 & 80002
Product Name:
GRILLE GUARD MOUNTING BRACKET SET
FOR KENWORTH T680