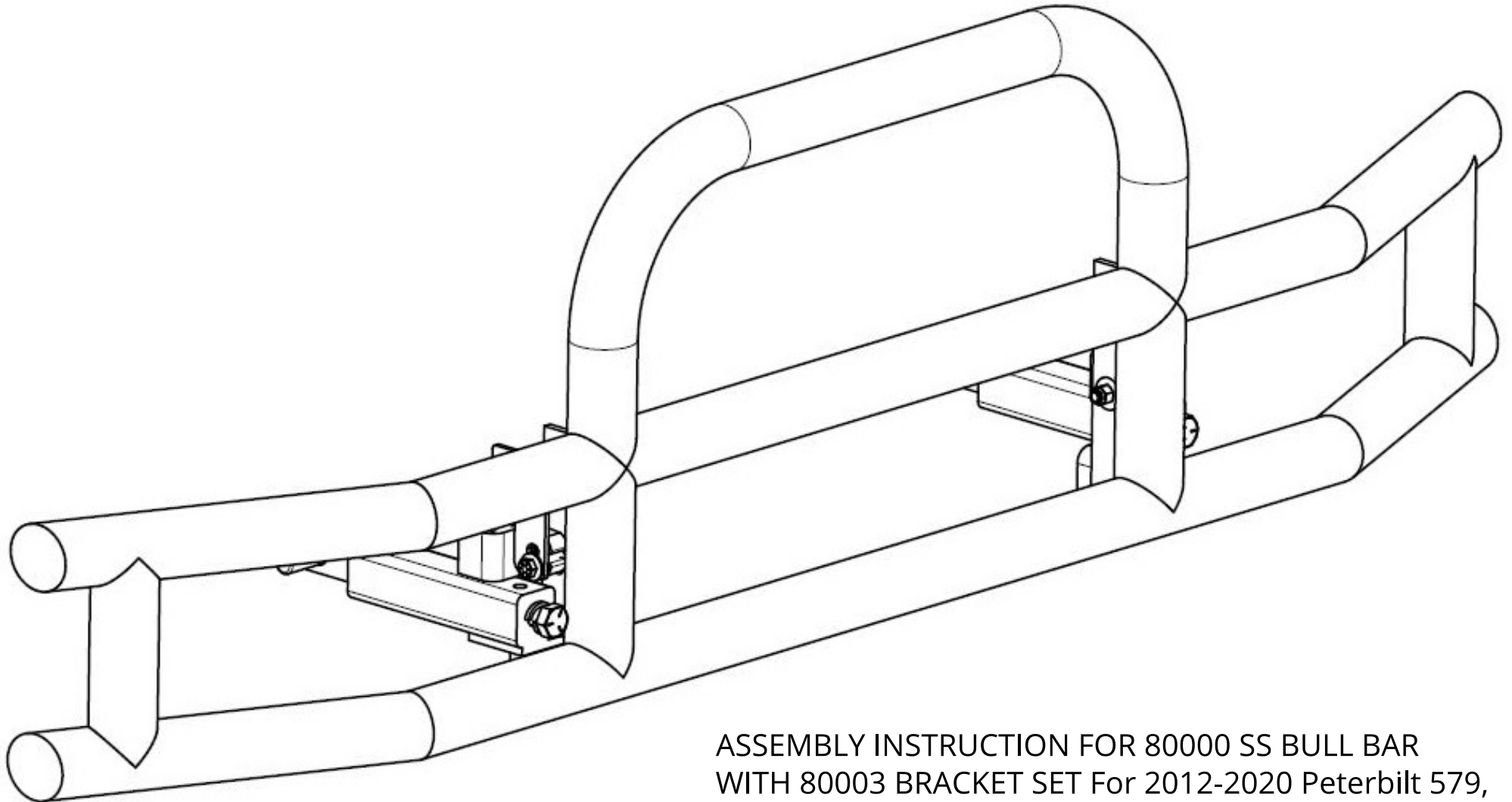




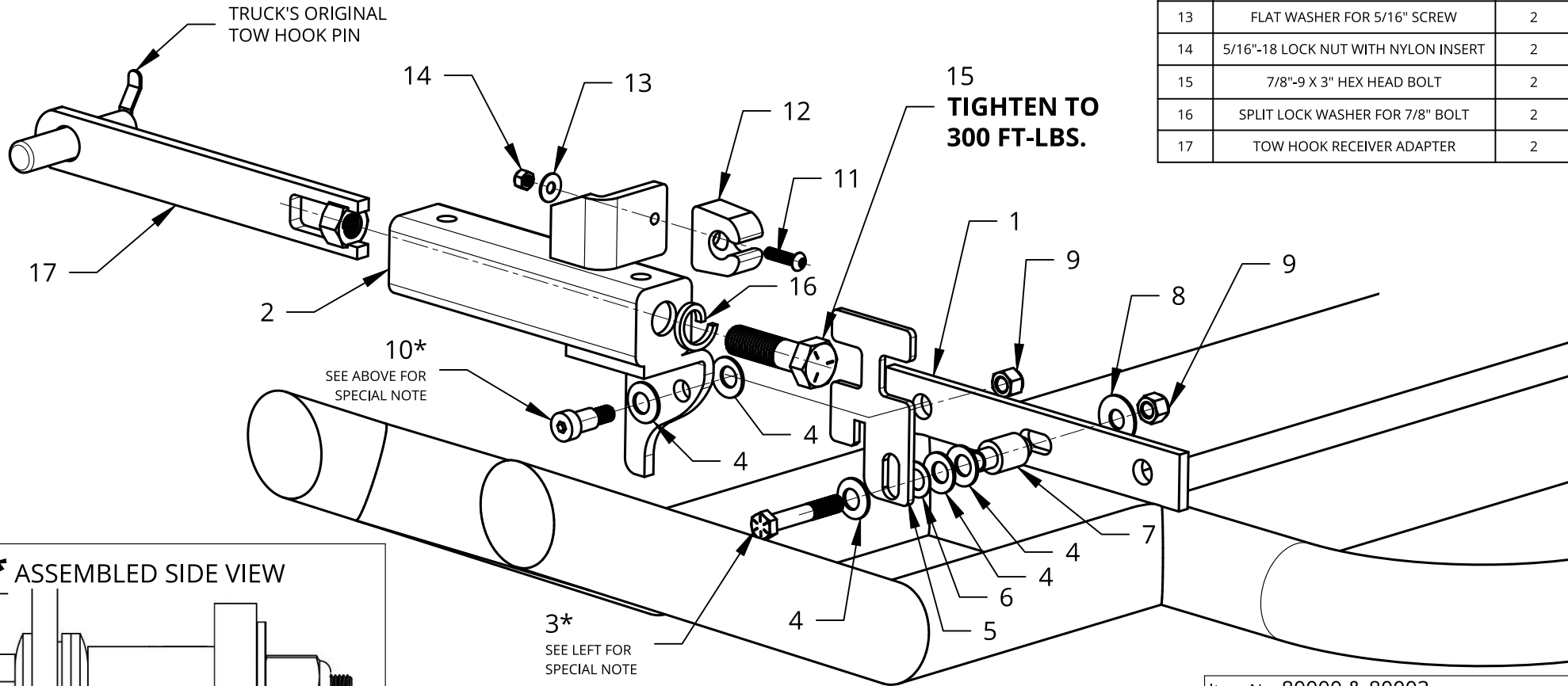
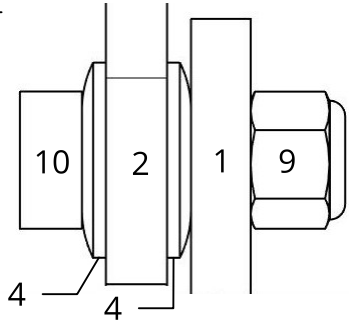
United Pacific



ASSEMBLY INSTRUCTION FOR 80000 SS BULL BAR  
WITH 80003 BRACKET SET For 2012-2020 Peterbilt 579,  
2010-2016 Peterbilt 587, & 2008-2017 Kenworth T660

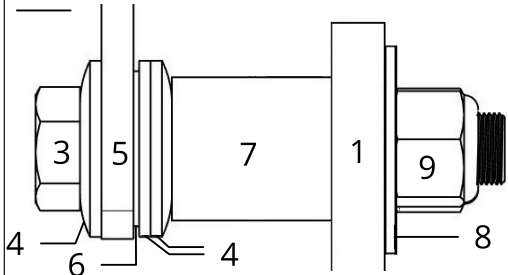
# PASSENGER SIDE ASSEMBLY SHOWN

## 10\* ASSEMBLED SIDE VIEW

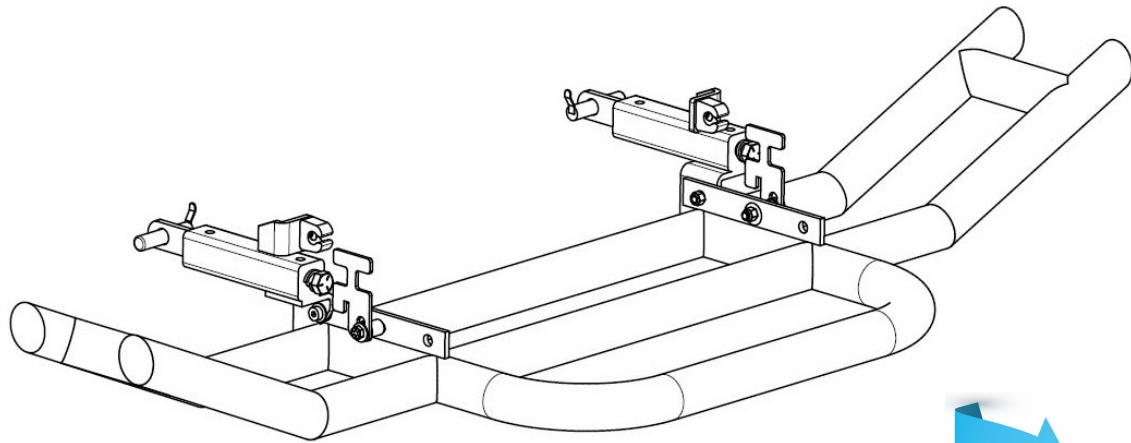


No.	DESCRIPTION	QTY/SET
1	304 SS BULL BAR	1
2	MOUNTING BRACKET (L+R)	1 PR
3	1/2"-13 X 3" HEX HEAD BOLT	2
4	SPRING WASHER	10
5	T-SLIDE KEY	2
6	PLASTIC WASHER	2
7	METAL SLEEVE	2
8	FLAT WASHER FOR 1/2" BOLT	2
9	1/2"-13 LOCK NUT WITH NYLON INSERT	4
10	1/2"-13 X 1-5/8" SHOULDER BOLT	2
11	5/16"-18 X 1-1/4" ROUND HEAD SCREW	2
12	RUBBER C-HOOK	2
13	FLAT WASHER FOR 5/16" SCREW	2
14	5/16"-18 LOCK NUT WITH NYLON INSERT	2
15	7/8"-9 X 3" HEX HEAD BOLT	2
16	SPLIT LOCK WASHER FOR 7/8" BOLT	2
17	TOW HOOK RECEIVER ADAPTER	2

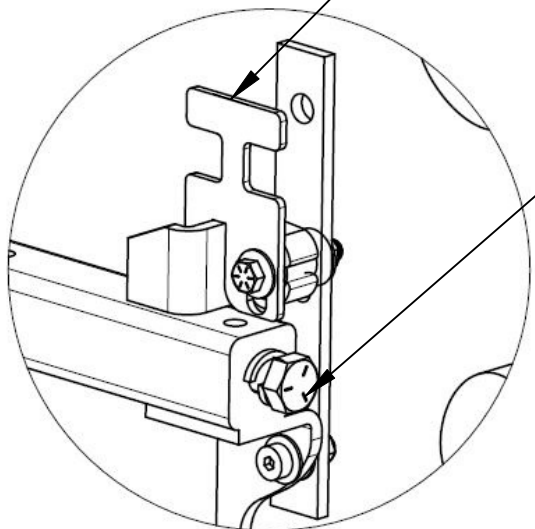
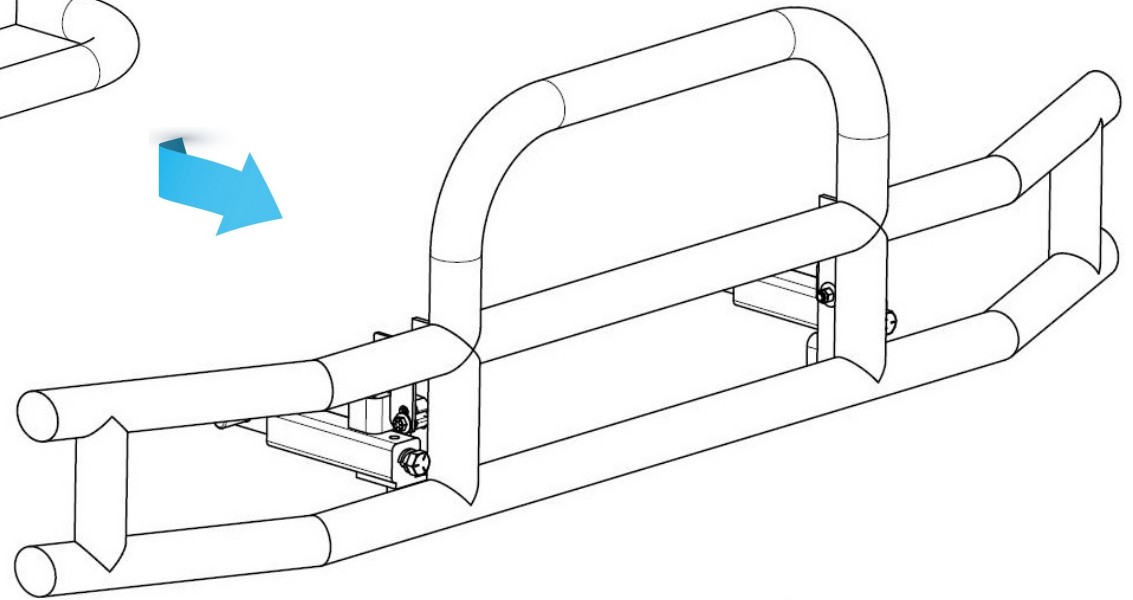
## 3\* ASSEMBLED SIDE VIEW





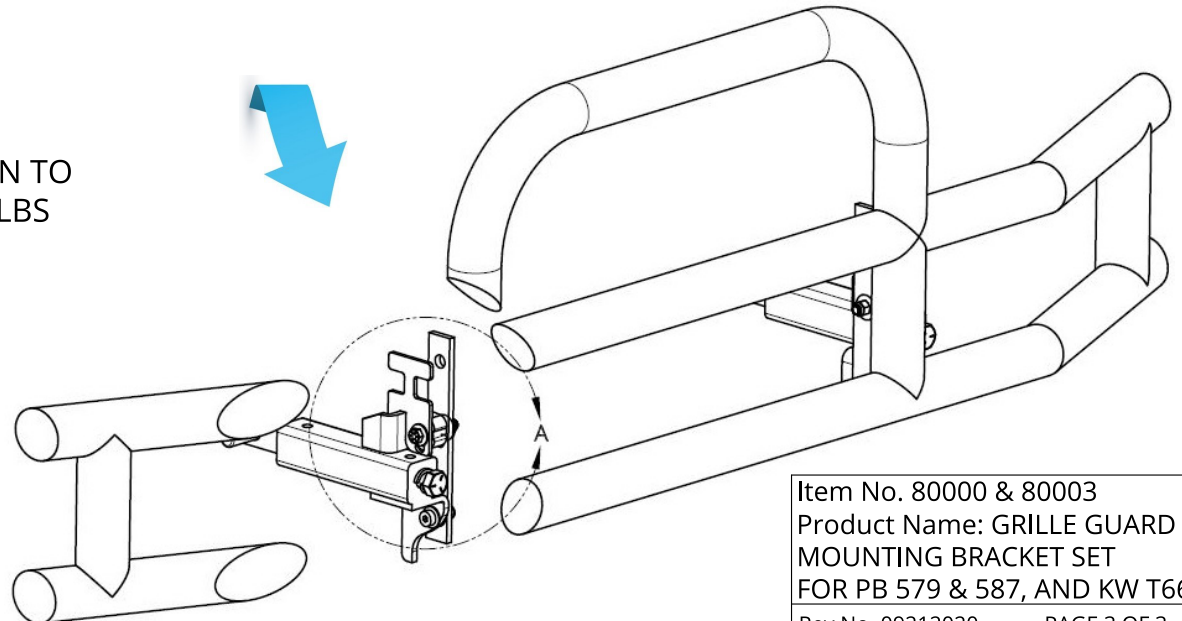


NOTE: TO AVOID BULL BAR FROM ACCIDENTALLY TILTING FORWARD, THE T-SLIDE KEY (#5) MUST BE ALL THE WAY DOWN. BE SURE TO TIGHTEN THE T-SLIDE BOLT SECURELY, BUT STILL ALLOW T-SLIDE KEY TO MOVE WITH AID OF HAMMER OR PRY BAR.



DETAIL A

TIGHTEN TO 300 FT-LBS



Item No. 80000 & 80003  
 Product Name: GRILLE GUARD  
 MOUNTING BRACKET SET  
 FOR PB 579 & 587, AND KW T660